

## INTENDED USE

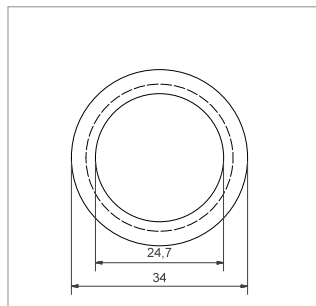
Cable Protectors offer safe routing through perforations on cable trays and OE ladders to prevent damage to cables during installation and operation. Produced in flame retardant material.

## INSTRUCTION FOR USE

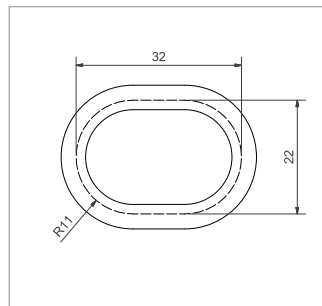
The cable protection gromets are pushed into place and the rubber formed in place around the opening.

NB: Note that the Cable Protector for the SPB-RF Trays will have a circular shape before it is inserted into the oblong hole of the tray.

### For SPB-RF

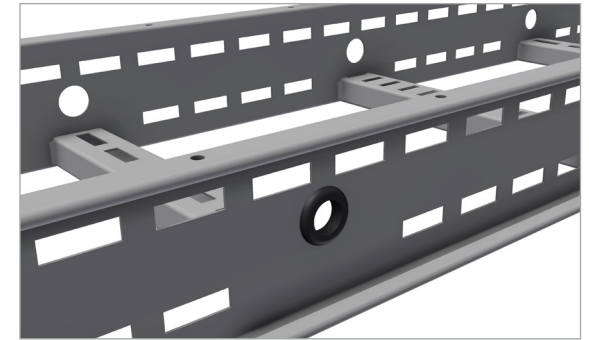


As delivered



When fitted to SBR-RF tray

For OE side rails



For SPB-RF



For SPB-LB

