

INTENDED USE

Pair of Universal brackets for attaching light fittings vertically to handrails using U-Bolts or Mekano® triangular section. Typically used for 18 W light fittings.

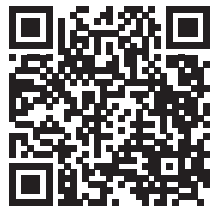
INSTRUCTION FOR USE

Attach the light armature to the brackets using the manufacturers fasteners. Fix the brackets to the handrail using U-Bolts.

For irregular handrail CC spacings, attach the brackets to Mekano® CH50-2T using the holes on the sides using M10 self locking bolts, and attach the Mekano® channels to the handrails using U-Bolts.

Adjust, and tighten securely.

To avoid galvanic corrosion where different metals are in contact, fit PTFE tape around the handrail where the U-Bolts are to be fitted.



User Guide for Bolts:
Recommended Torque



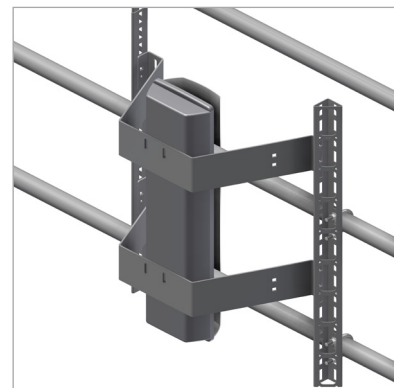
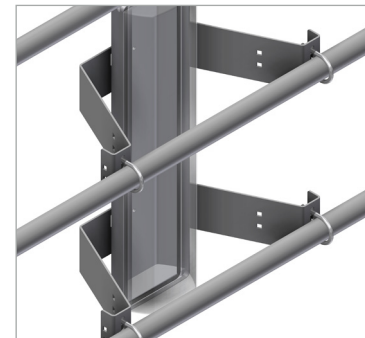
Brackets are supplied in pairs.
U-Bolts must be ordered separately.



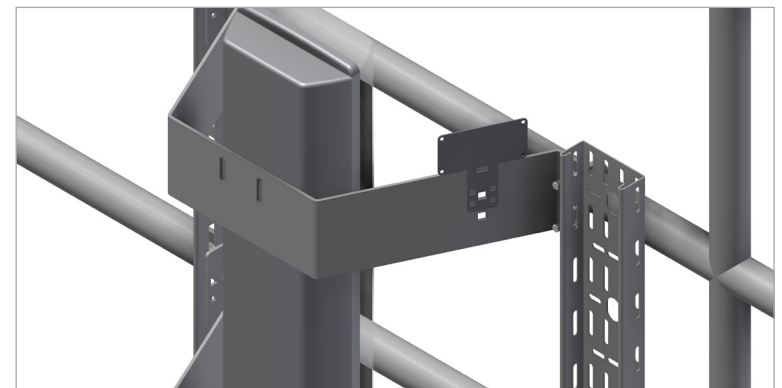
Round Handrail.



Square Handrail.



Mekano® channels can be used for irregular handrail spacings.



Holes are available for attaching cable tray and TAG plates.