

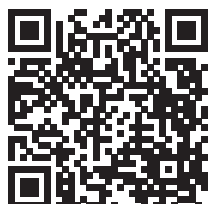
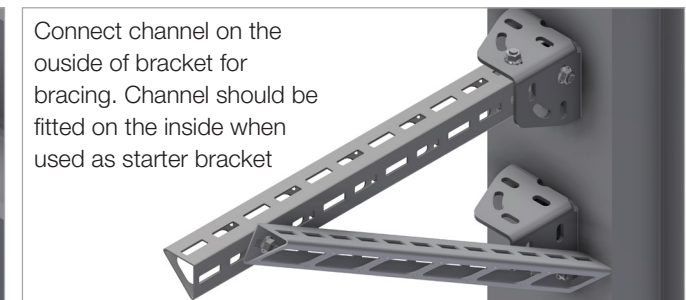
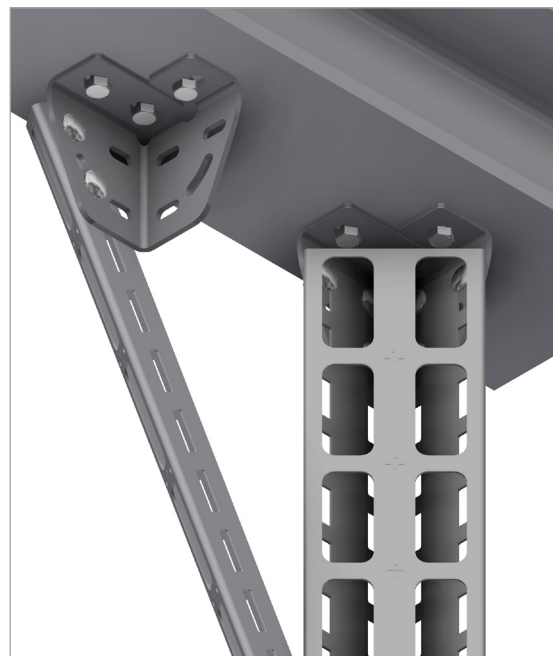
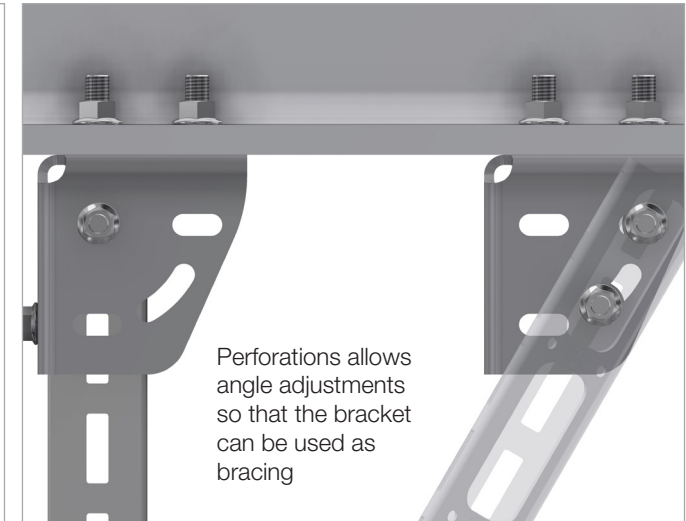
## INTENDED USE

Bolted bracket for Mekano® CH50-2T and CH100-2T. The bracket allows a CH50-2T channel to be connected to a CH50-2T or CH100-2T channel to form a bracing. The perforations allows angle of channel to be adjusted to multiple positions. The bracket can be used as a bolted starter bracket.

## INSTRUCTION FOR USE

Attach the bracket to the structure using M12 bolts. Adjust and tighten securely.

For bracing, measure and cut the bracing channel to the correct size. Fit the channel to bracing bracket using M10 self locking bolts. Adjust and tighten securely.



User Guide for Bolts:  
Recommended Torque