

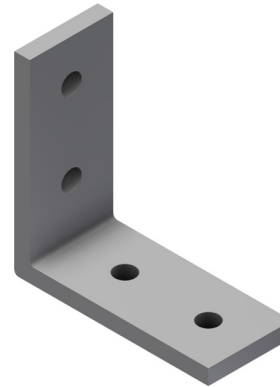
## INTENDED USE

FRP UNO bracket for connecting FRP UNO sections together.

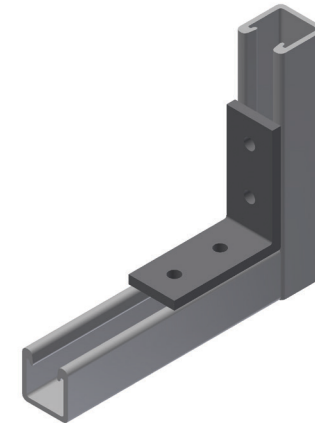
## INSTRUCTION FOR USE

Fix FRP UNO nuts in the channel.  
Attach the bracket connecting the sections.  
Adjust and tighten securely.

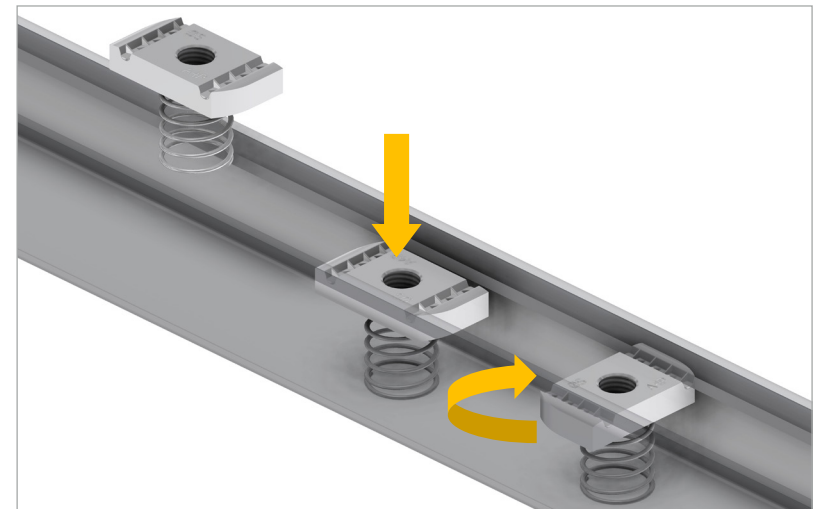
UNO Angle Bracket UNO SA-HO 2x2 S



Typical installation



Fitting UNO nut with spring



User Guide for Bolts:  
Recommended Torque