

INTENDED USE

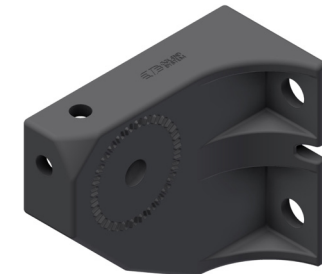
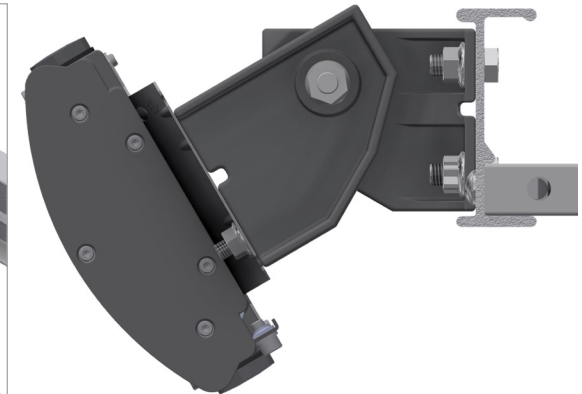
Bracket to fix light armatures on the Cable ladder side rails, FTE Cable tray side rail, Mekano and MT support channels, Magnets, Steel structures by Hilti FoS. Typically 2 pairs of Light fitting brackets are assembled together to form a hinge, making it possible to adjust the light in increments of 6 degrees (illustration 1).

INSTRUCTION FOR USE

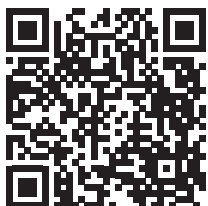
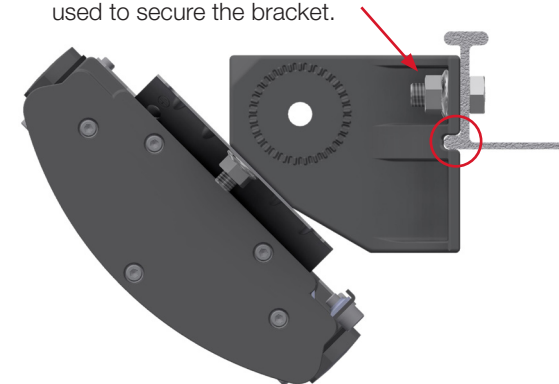
Illustration 1: Connect two Light fitting brackets to each other thru the center hinge hole with a M10 A4 Hex bolt/nut. Tilt to desired position and tighten bolt/nut to 40Nm. Attach the bracket-assembly onto the armature. Check, mark and drill $\varnothing 11$ mm holes for the bracket-assembly in the Ladder/Tray side rail if needed. Attach armature/ brackets to Ladder/Tray side rail using M10 bolts/nuts.

Illustration 2: Attach brackets to the armature. Check, mark and drill $\varnothing 11$ mm holes for the brackets on the Tray side rail. Attach armature/ brackets to the Tray using M10 bolts/nuts.

Note: When brackets are used on 50mm Tray please make sure that the bracket groove is fitted to the side rail profile.



When used on a 50mm Tray, fitted on the side rail profile, only the upper hole will be used to secure the bracket.



User Guide for Bolts:
Recommended Torque