

## INTENDED USE

The heavy duty cover fixing clamp is used to secure cable ladder covers. Installation of the HD cover fixing clamp is quick and easy. The clamp is suitable for both horizontal and vertical applications.

## INSTRUCTION FOR USE

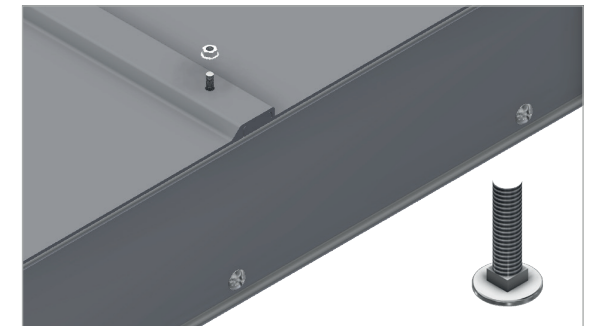
1. Place the pre-assembled cover on the ladder.
2. Remove the nut holding the lengths of cover together.
3. Hook the cover clamp under the ladder and over the bolt.
4. Secure the cover and clamp with the nut.

### Recommendation

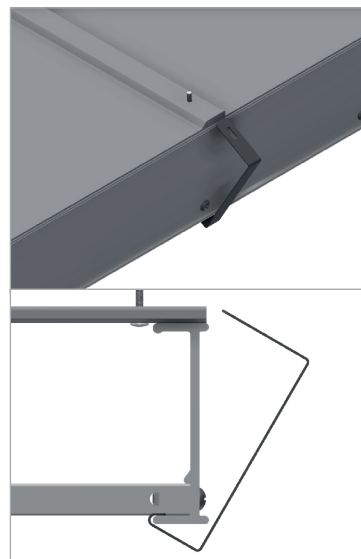
The Heavy Duty Cover Fixing Clamp provides protection from winds up to 90 km/h with 4 clamps per 3 metre section or 160 km/h with 8 clamps.



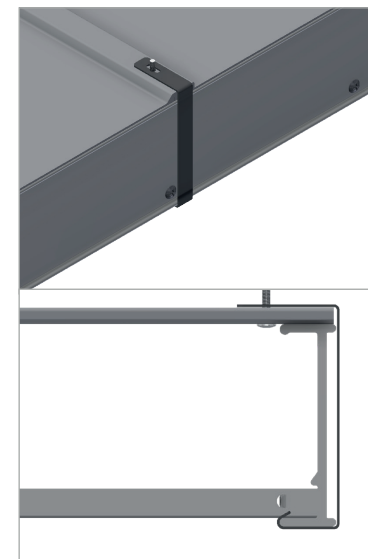
1. The cover is supplied with fasteners and the clamps can be fitted after assembly.



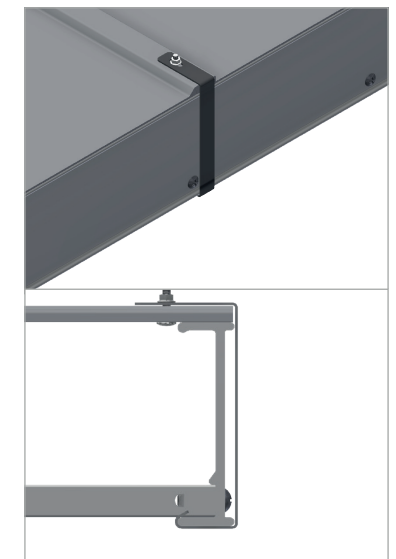
2. Remove the nut. The bolt will remain in place, as a result of its square neck.



3. Hook the cover clamp onto the bottom flange of the cable ladder.



4. Lift the clamp up so the slotted hole of the clamp lands over the bolt. The installer should be careful not to knock the bolt out of place during this process.



5. Once the clamp is in place secure the nut.



User Guide for Bolts:  
Recommended Torque