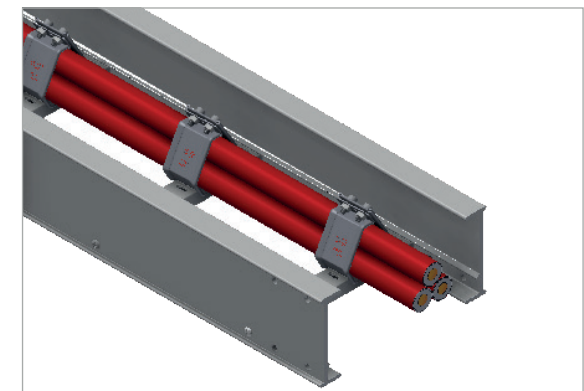
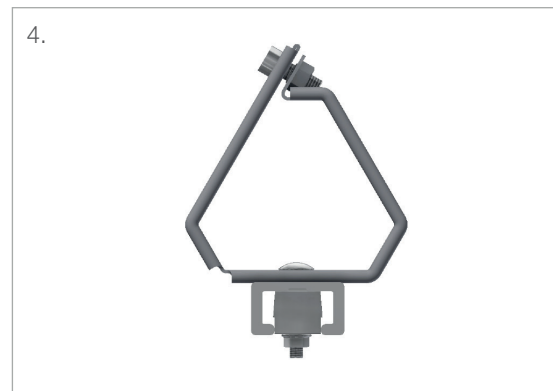
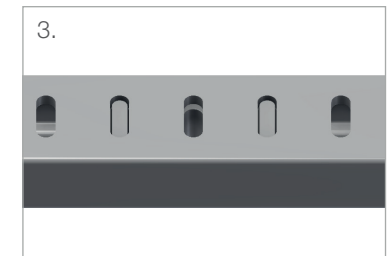
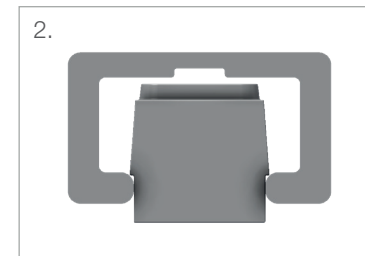
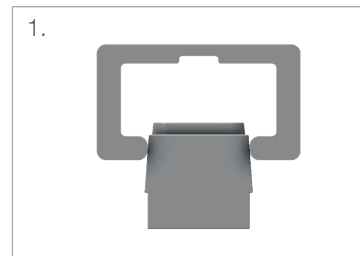
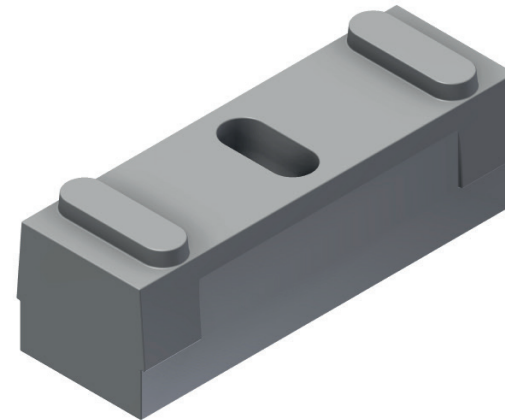


## INTENDED USE

This FRP rung insert is designed to be used with our patented Smart Cable Cleat. It ensures a secure installation that will minimise damage in the event of a short circuit.

## INSTRUCTION FOR USE

1. The rung insert features an angled edge, which allows a snap-in assembly.
2. Once the rung insert has been inserted into the rung it will not fall out, but the insert can slide along the length of the rung.
3. Once an appropriate location is chosen, the rung insert can be raised into the rung slotting. This locks it in position. **NOTE** - Clear any burr from the holes to ensure the adapter is fitted true to the rung.
4. The smart cleats can now be installed.
5. For more information please refer to the Smart Cable Cleat user guide.



User Guide for Bolts:  
Recommended Torque