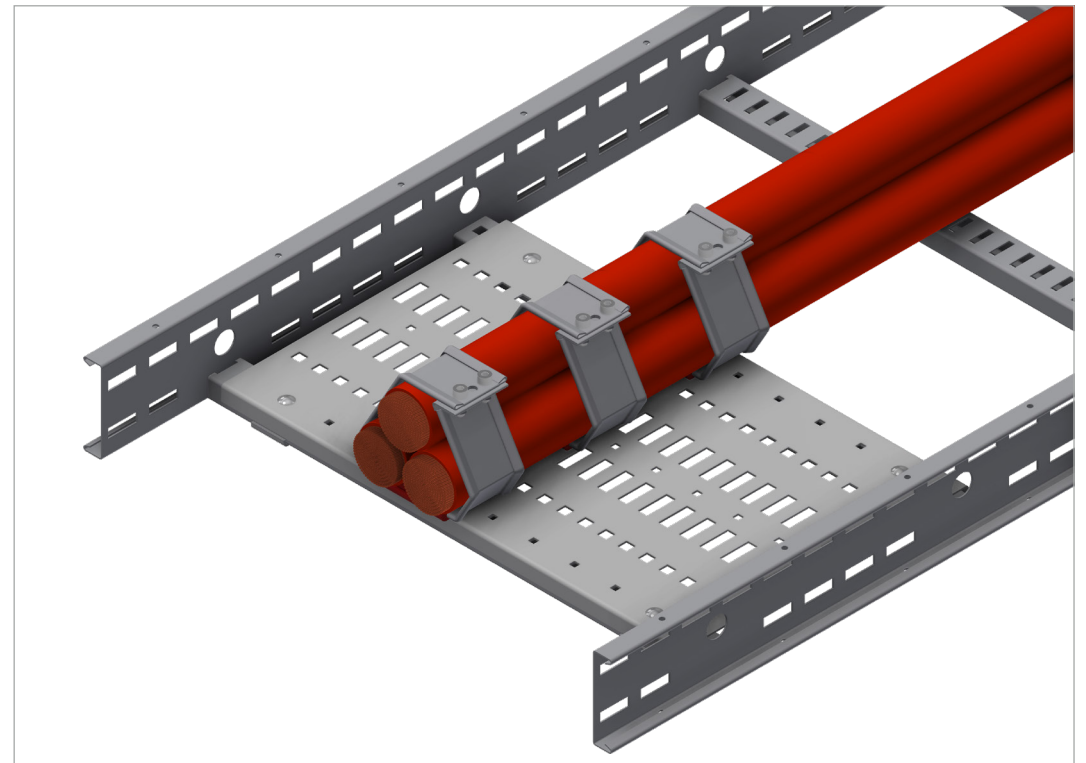
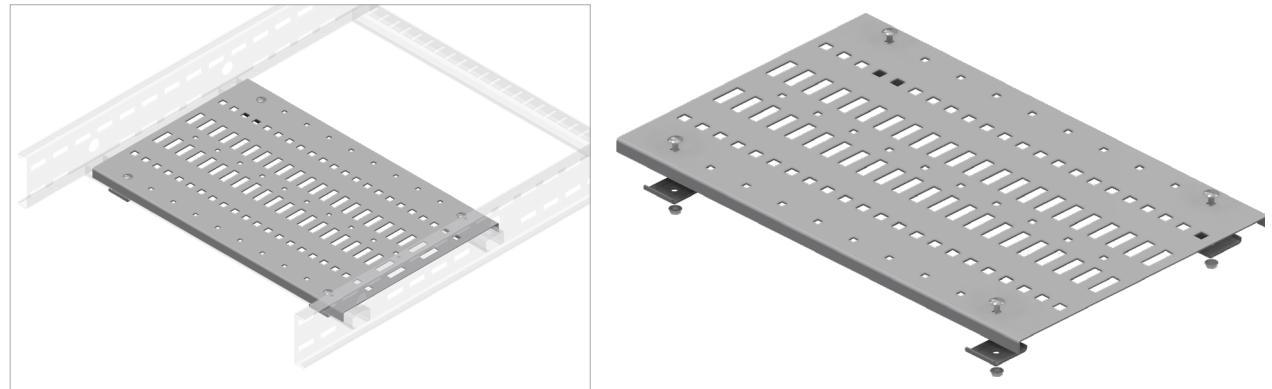


INTENDED USE

Securing Plates are HIGHLY recommended at both ends of a trefoil cable run where the forces generated by a short circuit are the highest. The plates allow for up to three Smart Cleats® to be fitted 150 mm CC to secure the cables, reduce arching and prevent deformation and damage to the cables and the cable ladder. Suitable for all Oglænd cable ladders with 300 mm rung CC.

INSTRUCTION FOR USE

Position the Securing Plates on the first two and last two rungs. Fit the bolts from the top, and use the rung washers and bolts to secure the plates to the ladder. The Smart Cleats® can now be fitted through the Securing Plates and the rungs. For recommended torque use following QR Code.



User Guide for Bolts:
Recommended Torque