

## INTENDED USE

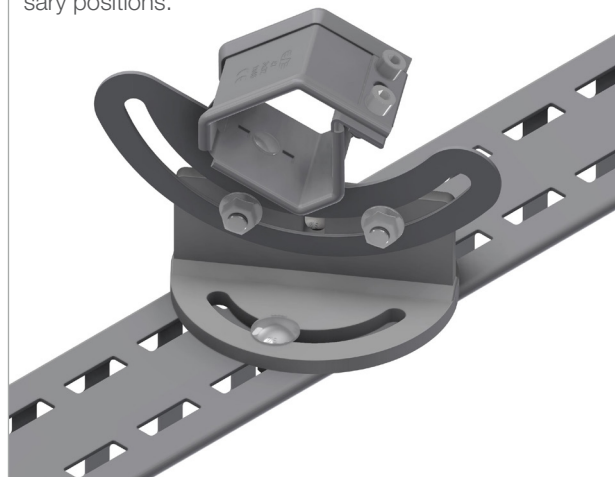
Rotatable base plate for fixing 68971 angle bracket for SmartCleat® NG to Mekano® channel. The combined adjustability of the two brackets allows for Array cables to be fitted in all necessary positions.

## INSTRUCTION FOR USE

Attach the base plate loosely in desired position using M10 bolts. Adjust and tighten securely. For recommended torque use following QR Code.



The base plate is rotatable and used together with 68971, a SmartCleat® NG can be fitted in all necessary positions.



The base plate can be used to fix channels together in all necessary angles.



User Guide for Bolts:  
Recommended Torque