

Firesys system is designed for the following installation sequence logic:

General:

Some user guides have pre-assembly steps (marked by letters) and installation steps (marked by numbers). To increase productivity pre-assembly steps can be done independently of the installation.

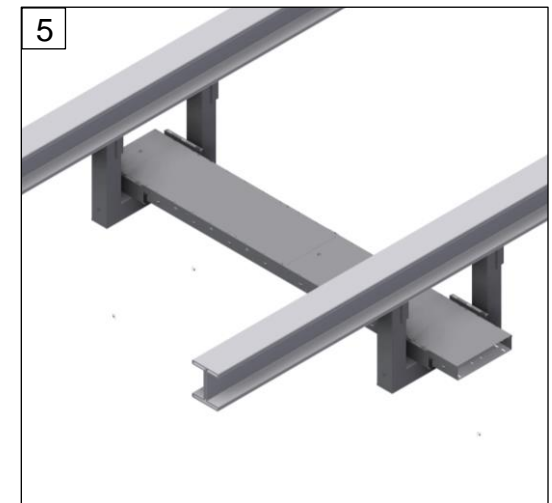
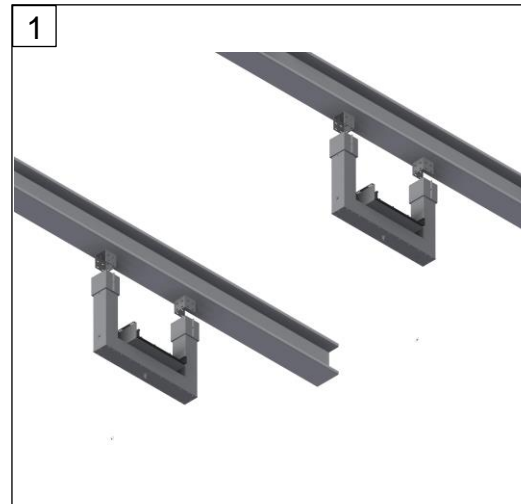
Supports:

1. All Firesys supports must be covered with fire protection material and metal outer covers before the cable tray installation begins. The bottom outer cover stays opened for adjustability reasons and shall be closed after installation of inner trays and fittings (see point 8).
2. Supports should be lifted and fastened to the already installed starter brackets. Ensure that starter brackets are covered by fire protection material and outer cover (the collars). Details see USER GUIDE - SUPPORTS.

Cable Tray System:

Note: Cable tray system is qualified according to IEC 61537 load test type II

3. Inner cable trays and inner parts of the fittings are installed after the supports. This should be done for a full cable run before continuing with the next steps. **IMPORTANT NOTE:** In case the routing is installed along to a surface (e.g. wall, roof,...) with less than 150mm distance to the surface, install bottom fire protection layer and bottom outer cover before fastening inner cable tray to supports.
4. Cables are pulled and fixed to the inner cable trays. It is allowed to proceed with next installation steps after cable installation and testing, meaning fire protection layer and outer cover can be stored separately. **IMPORTANT NOTE:** If cable cleats are used for securing cables make sure that cleats are installed before bottom fire protection layer and bottom outer cover.
5. Cable trays and fittings are closed with inner covers.

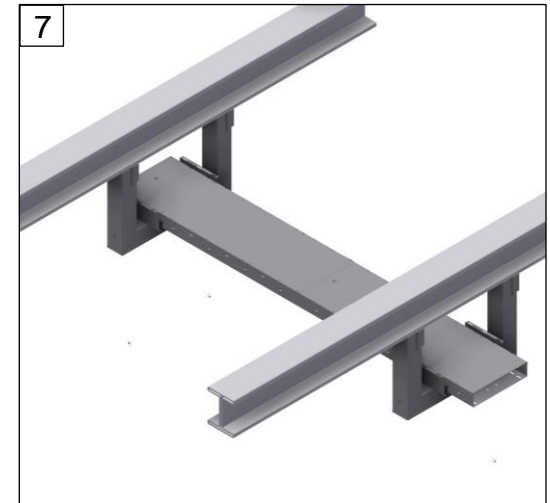
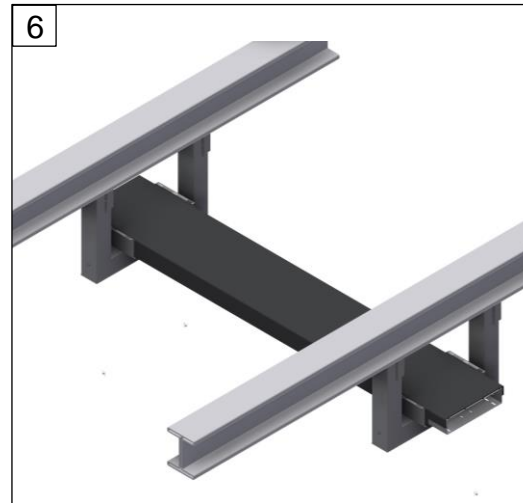


Cable Tray System:

6. Cable trays and fittings are covered with fire protection material. **ATTENTION:** It is safety-critical that no gaps bigger than 4 mm appear between adjacent fire protection material parts in any installations.
7. Bottom and top outer cover is installed and fastened. It is recommended to install fire protection material and outer covers in the same installation period. Do not leave semi-installed parts of the system in heavy environmental exposed areas, to reduce the risk of falling objects. The fire protection material should not be exposed to UV radiation (e.g. sunlight) during a long period (more than 2 weeks)

Supports:

8. Bottom outer covers of the supports are installed once final position of all the cable trays and fittings is set and fastened according to user guides



User Guide for Bolts:
Recommended Torque