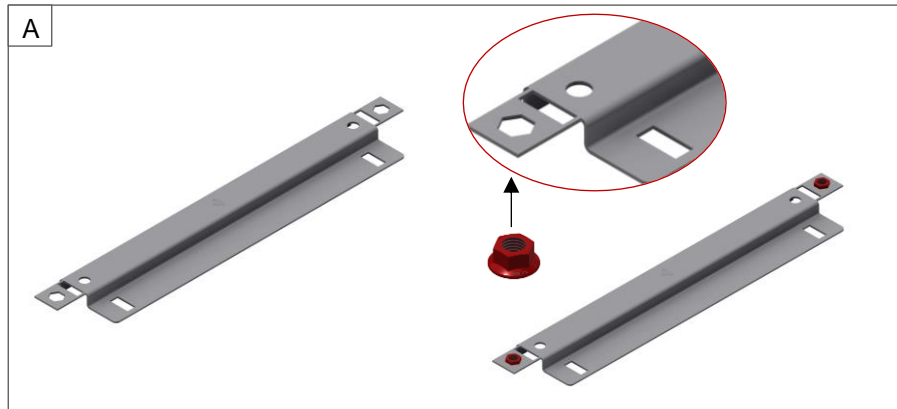


<p>INTENDED USE: FIXATION ON STRUCTURAL STEEL – KIT OVERVIEW</p> <div style="display: flex; justify-content: space-around;"> <div data-bbox="153 275 526 592"> <p>[450: 125925]</p>  </div> <div data-bbox="602 275 928 592"> <p>[150: 125932]</p>  </div> </div>	<p>PARTS USED</p> <div style="display: flex; justify-content: space-around; align-items: flex-start;"> <div data-bbox="1100 292 1203 429">  <p>Flange nuts 2x 1371973</p> </div> <div data-bbox="1259 292 1390 429">  <p>Locking bolt set 4x 1371437</p> </div> <div data-bbox="1446 292 1556 429">  <p>Pan head screw 2x 90058</p> </div> </div>
<p>PARTS USED</p> <div style="display: flex; justify-content: space-around; align-items: flex-start;"> <div data-bbox="192 739 551 918">  <p>Support bracket 1x 125518 / 125546</p> </div> <div data-bbox="679 753 1031 918">  <p>Interface bracket 1x 125519 / 125547</p> </div> <div data-bbox="1125 753 1504 918">  <p>Fire protection layer 1x 125607 / 125608</p> </div> </div>	

PRE-ASSEMBLY STEPS FOR FIXATION ON STRUCTURAL STEEL



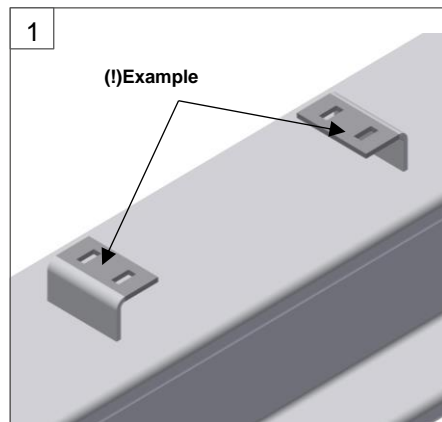
Insert 2x M10 flange nuts 1371973 into the hexagonal holes as shown in the pictures.



Bend the flanges of the interface bracket [450: 125519] [150: 125547] by hand inwards.

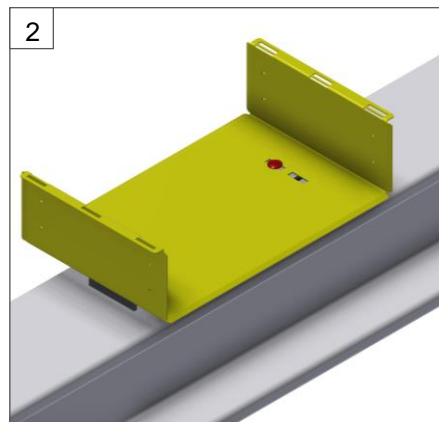
ØI-RD-UG-EN-0467. READ TOGETHER WITH ØI-RD-UG-EN-0460: FIRESYS GENERAL INSTALLATION INFORMATION

INSTALLATION STEPS FIXATION ON STRUCTURAL STEEL WITH THROUGH BOLTING



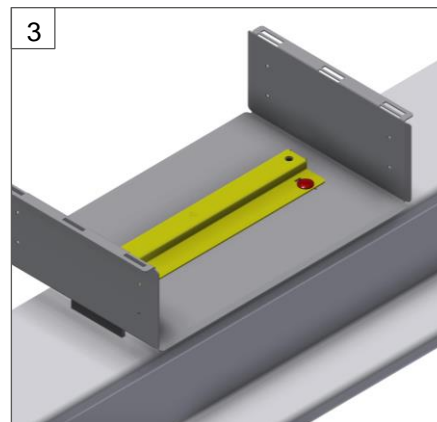
Prepare structural steel part for FireSys support bracket installation. Install starter brackets (!), (Oglaend or non-Oglaend item). Ensure the following:

1. Functionality of PFP on structural steel is remained
2. Minimum recommended free space of 20mm from underneath for access the tightening locking bolt set 1371437

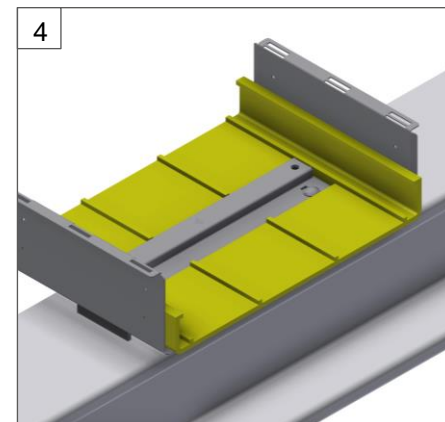


Connect support bracket [450: 125518] [150: 125546] to the starter brackets by using 2x locking bolt set 1371437 with bolt head facing as shown on the picture.

General note: For bolted **trough** structural steel thicker than 6mm longer locking bolt set (>25mm) shall be applied.



Place the pre-assembled interface bracket [450: 125519] [150: 125547] on top of the support bracket. Fasten the interface bracket to the support bracket by using 2x locking bolt set 1371437.



Position the passive fire protection layer [450: 125607] [150: 125608] on the support bracket; the interface bracket shall fit into the rectangular cut out. **Next step:** installation of Inner-tray according to USER GUIDE Straight Tray [450] [150].