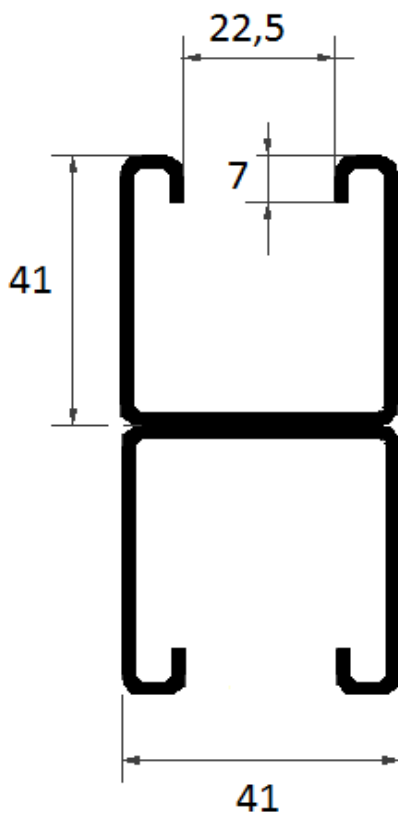
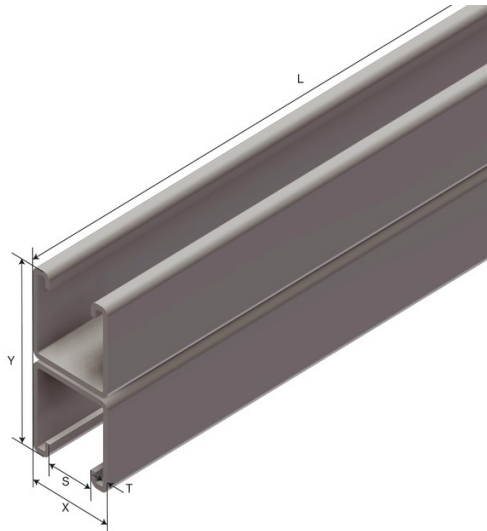


PRODUCT CALCULATION BASIS

UNO Double U-41-2 2.5mm



Material Data

Material	S275
Weight (kg/m)	5,60

Dimensional Data

L - Length (mm)	3000/6000
T - Thickness (mm)	2,5
X - (mm)	41
Y - (mm)	82
S - Spacing (mm)	22,5

Mechanical Properties

A_E Effective cross-section area (mm ²)	674
I_{TE} Effective moment of inertia, torsion (mm ⁴)	1 784
I_{XE} Effective moment of inertia, bending about X-axis (mm ⁴)	383 110
I_{YE} Effective moment of inertia, bending about Y-axis (mm ⁴)	184 330
W_{XP} Moment of resistance, bending about X-axis (mm ³)	9 122
W_{YP} Moment of resistance, bending about Y-axis (mm ³)	8 992
C_{TP} Moment of resistance, torsion, perforated (mm ³)	594