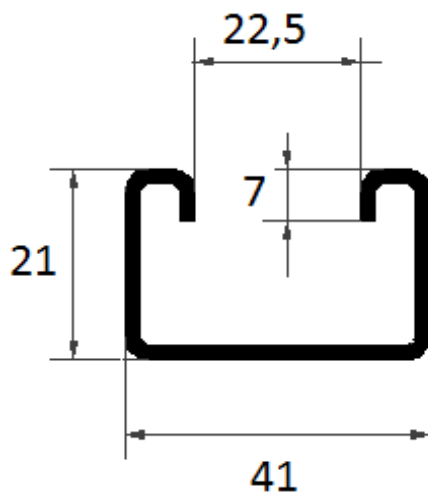
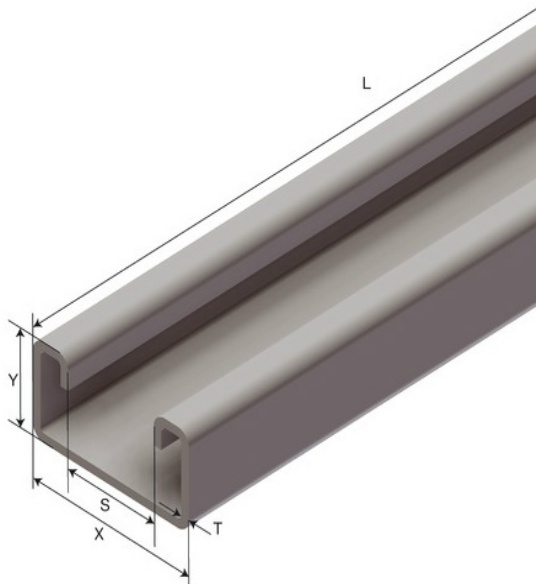


PRODUCT CALCULATION BASIS

UNO U-21-1 2.5mm



Material Data

| | |
|---------------|------|
| Material | S275 |
| Weight (kg/m) | 2,00 |

Dimensional Data

| | |
|--------------------|------|
| L - Length (mm) | 6000 |
| T - Thickness (mm) | 2,5 |
| X - (mm) | 41 |
| Y - (mm) | 21 |
| S - Spacing (mm) | 22,5 |

Mechanical Properties

| | |
|---|--------|
| A_E Effective cross-section area (mm ²) | 237 |
| I_{TE} Effective moment of inertia, torsion (mm ⁴) | 547 |
| I_{XE} Effective moment of inertia, bending about X-axis (mm ⁴) | 13 870 |
| I_{YE} Effective moment of inertia, bending about Y-axis (mm ⁴) | 55 060 |
| W_{XP} Moment of resistance, bending about X-axis (mm ³) | 1 125 |
| W_{YP} Moment of resistance, bending about Y-axis (mm ³) | 2 686 |
| C_{TP} Moment of resistance, torsion, perforated (mm ³) | 219 |