

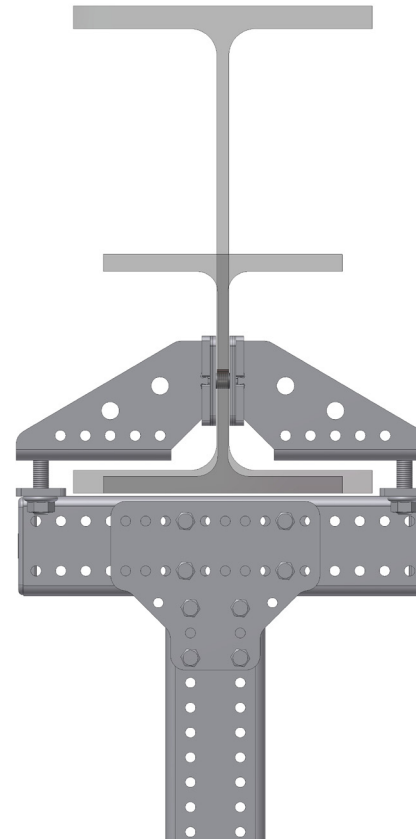
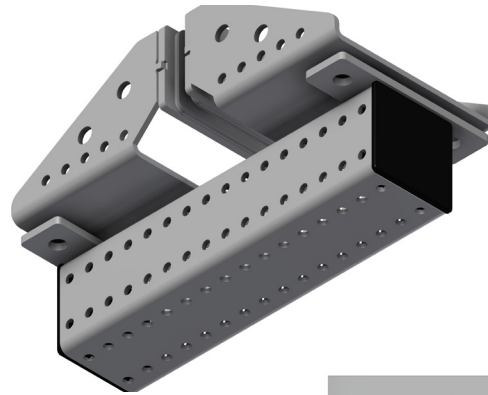
INTENDED USE

Beam clamp for Mekano® CH100-4 providing vertical support directly from structural beams from HE240A/B to HE1000A/B. Suits other similar beams with 240-300 mm flange width. Suitable for heavy loads and piping applications. Bolt holes are Ø18 mm. Bolts are not supplied.

INSTRUCTION FOR USE

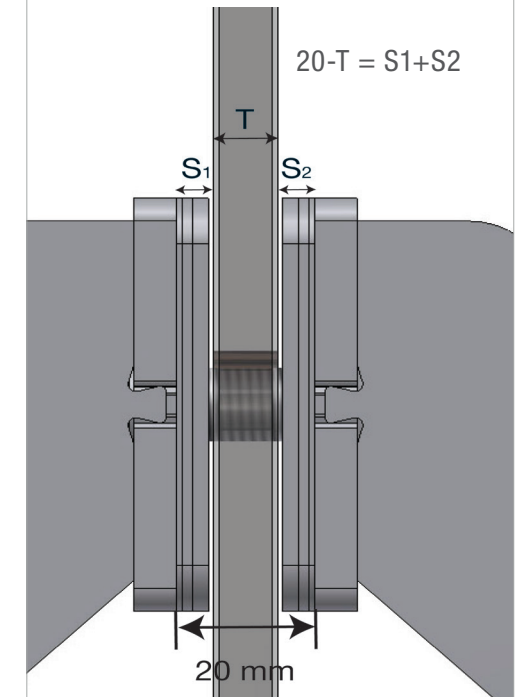
Calculate the size of shims required:
 $S1+S2 = 20-T$.

Position and mark the centre hole positions of the top clamps over the beam. Drill the holes in the beam (if required). Loosely bolt the top clamp halves together with the correct shim dimensions as calculated. Loosely bolt the bottom traverse beam piece in place.

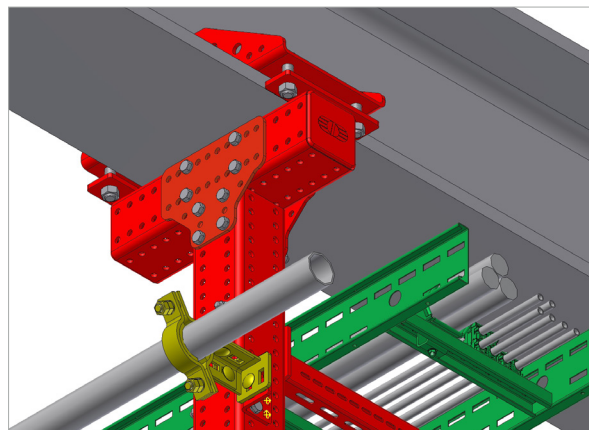


Shim Plates

Use 2 Shim Plates (S1 and S2). Shim plates come in 1, 2 or 3 mm thickness.



Calculate Shim Plate thickness
 $20\text{mm} - \text{Beam Thickness (T)} = \text{Shim plate thickness (S1+S2)}$



User Guide for Bolts:
 Recommended Torque