

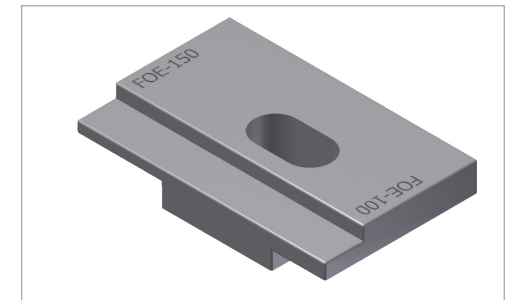
INTENDED USE

This FRP hold-down clamp is intended for use with all FOE cable ladders. It is suitable for horizontal applications only.

INSTRUCTION FOR USE

1. The hold-down clamp has 3 grooves, each is designed to fit a different flange height.
2. The appropriate groove for each cable ladder height is embossed on the surface of the clamp.
3. Fasteners are not provided with the hold-down clamp, as the required length of fastener may vary between applications.

An appropriate M10 bolt may be chosen to match the combined thickness of the support structure and clamp.



User Guide for Bolts:
Recommended Torque