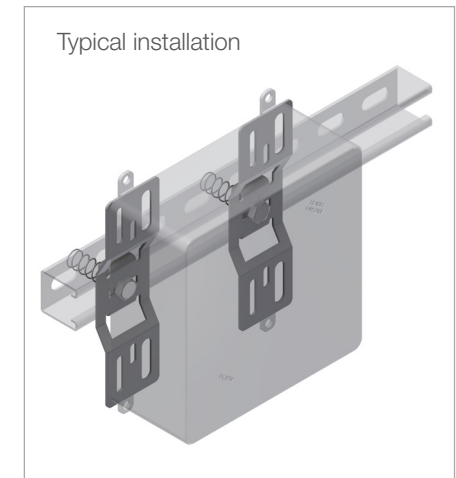
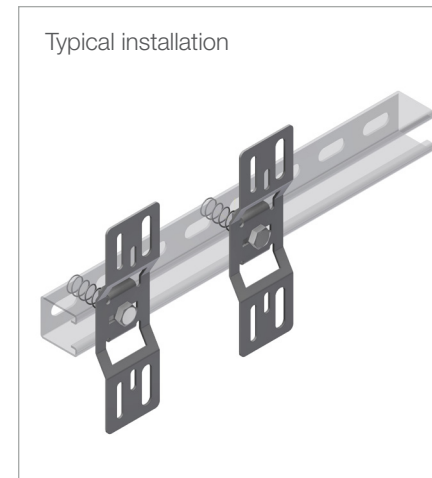


INTENDED USE

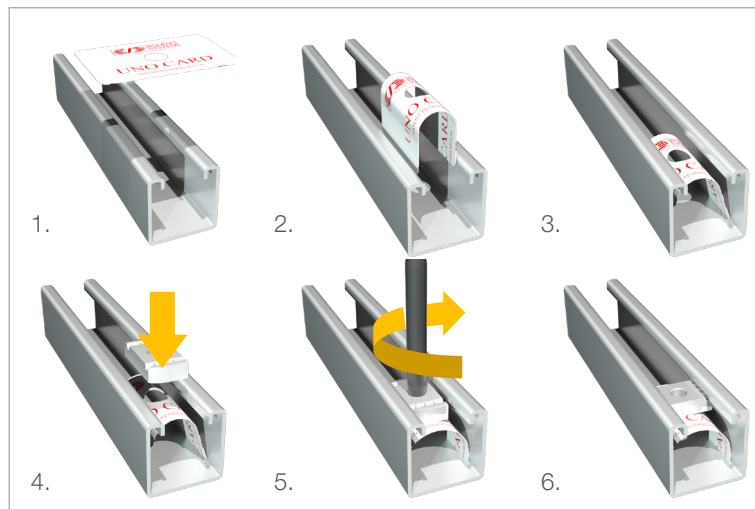
UNO bracket for attaching light equipment to UNO channels. Supplied in pairs.

INSTRUCTION FOR USE

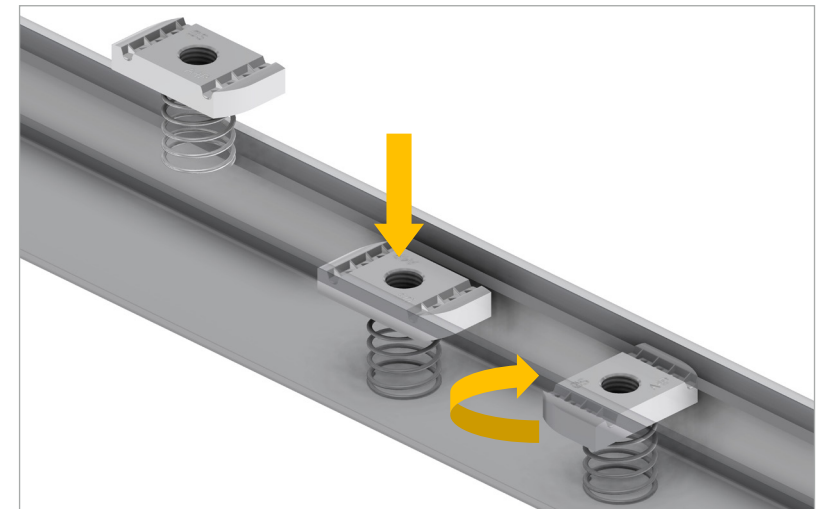
Fix UNO nuts or UNO card in the channel. Attach the brackets and adjust the position to suit the equipment. Tighten securely.



Fitting UNO nut with UNO card



Fitting UNO nut with spring



User Guide for Bolts:
Recommended Torque