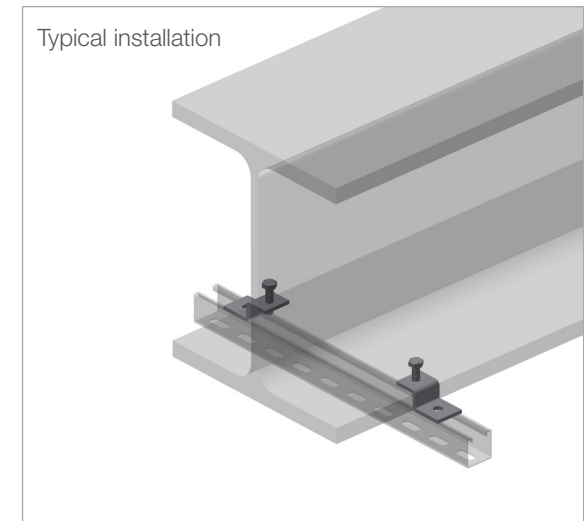


## INTENDED USE

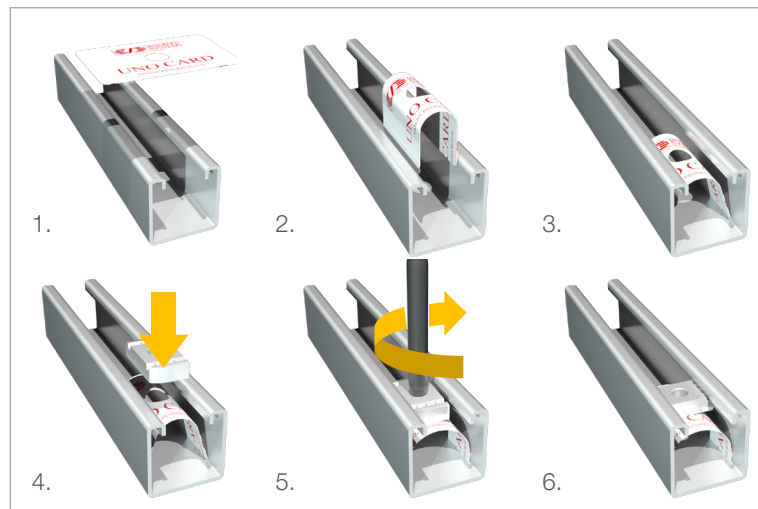
UNO bracket for connecting UNO sections to H-beams.

## INSTRUCTION FOR USE

Fix UNO nuts or UNO card in the channel and attach the brackets. Fix the UNO channel to the underside of the beam. Adjust the position of the brackets and tighten the bolts onto the brackets and secure the beam.



Fitting UNO nut with UNO card



Fitting UNO nut with spring

