

## INTENDED USE

Devices for holding UNO Nuts in place during assembly.

## INSTRUCTION FOR USE

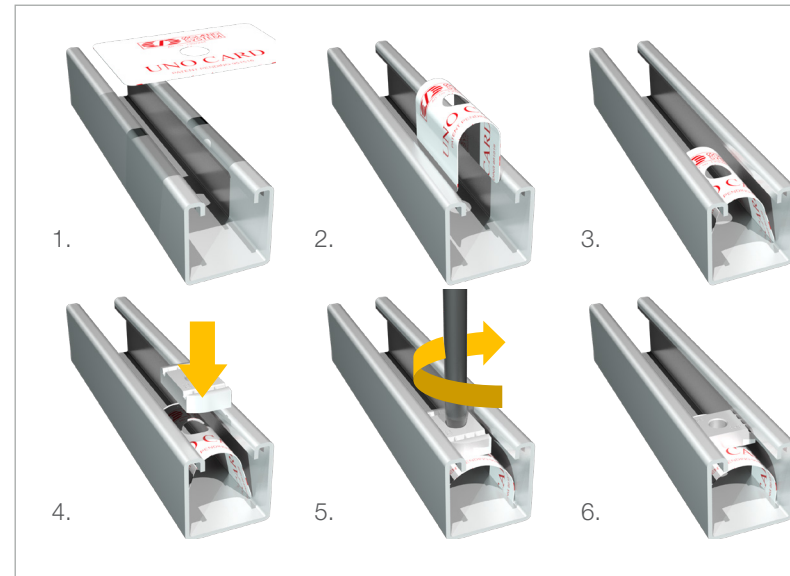
### UNO CARD

- Bend the card and place it in the channel
- Press the nut down and turn 90°

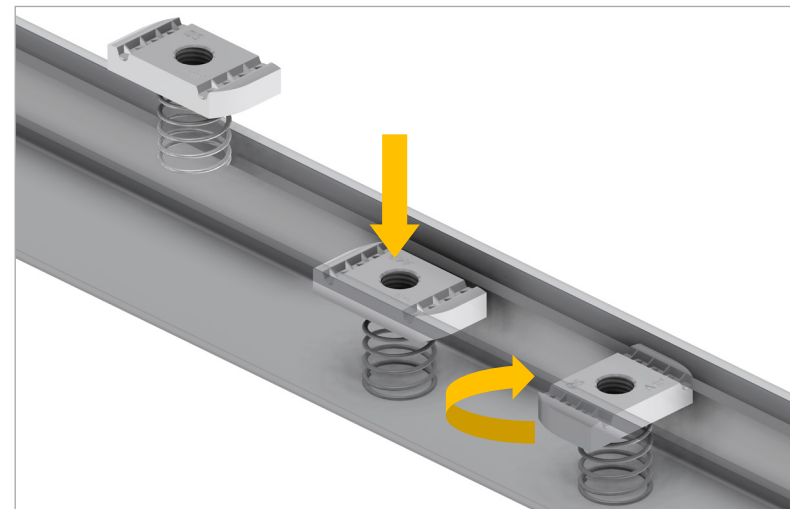
### UNO NUT WITH SPRING

- Select correct spring length for channel
- Locate UNO nut in channel
- Press the nut down and turn 90°

Fitting UNO nut with UNO card



Fitting UNO nut with spring



User Guide for Bolts:  
Recommended Torque