

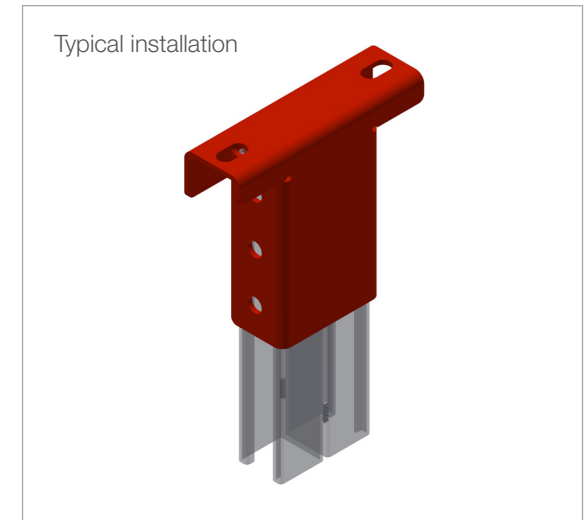
INTENDED USE

UNO bolted starter bracket for fixing to ceilings of concrete or steel.

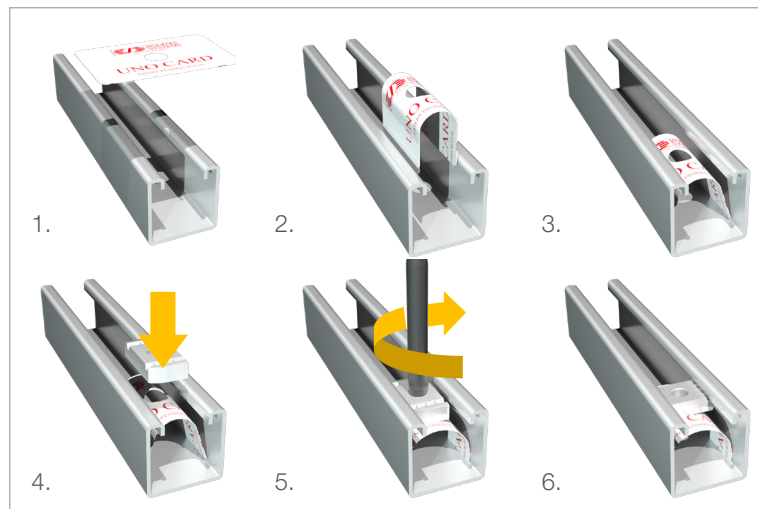
INSTRUCTION FOR USE

Bolt securely. Fix channel using UNO nuts or UNO cards.

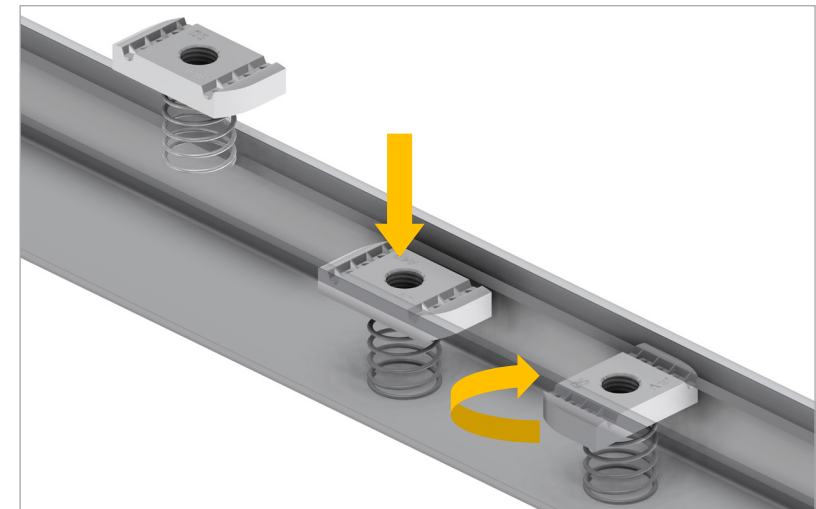
When fixing to concrete, use expanding bolts according to the manufacturers recommendations.



Fitting UNO nut with UNO card



Fitting UNO nut with spring



User Guide for Bolts:
Recommended Torque