

## INTENDED USE

Cantilever arms with fixing bracket for single bolt up to M12. Suitable for bolting to steel support or to concrete using anchor bolt. With 7x30 mm holes on top of arm. Suitable for OE, LOE, RZE cable ladders and SPB cable trays.

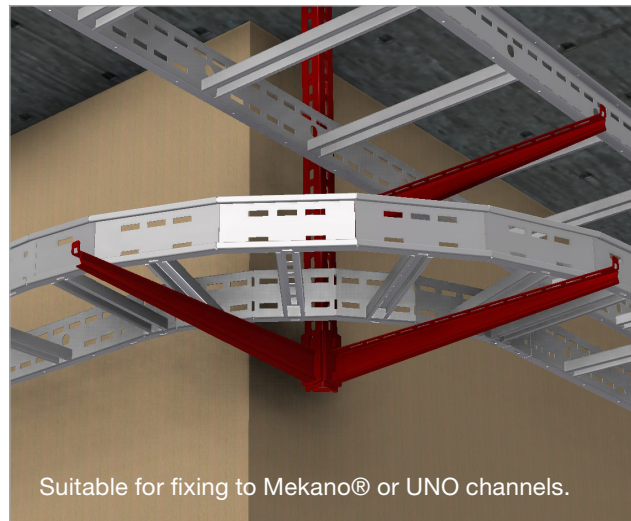
## INSTRUCTION FOR USE

Bolt loosely in place, adjust and tighten securely.

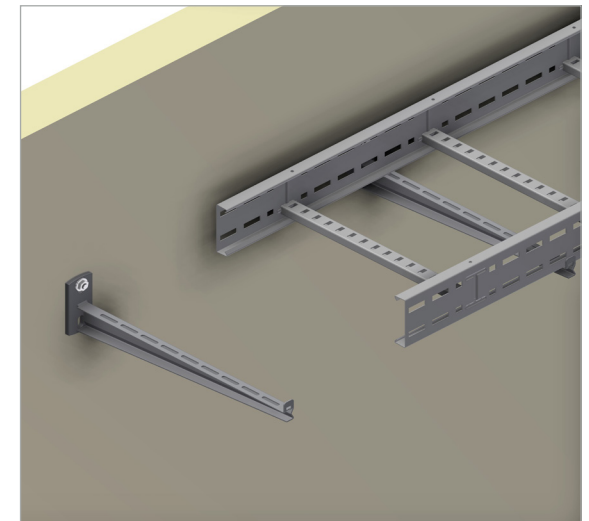
Note. The lower hole is for drainage - not for bolting.



Available in widths from 100 mm to 600 mm.



Suitable for fixing to Mekano® or UNO channels.



User Guide for Bolts:  
Recommended Torque