

## INTENDED USE

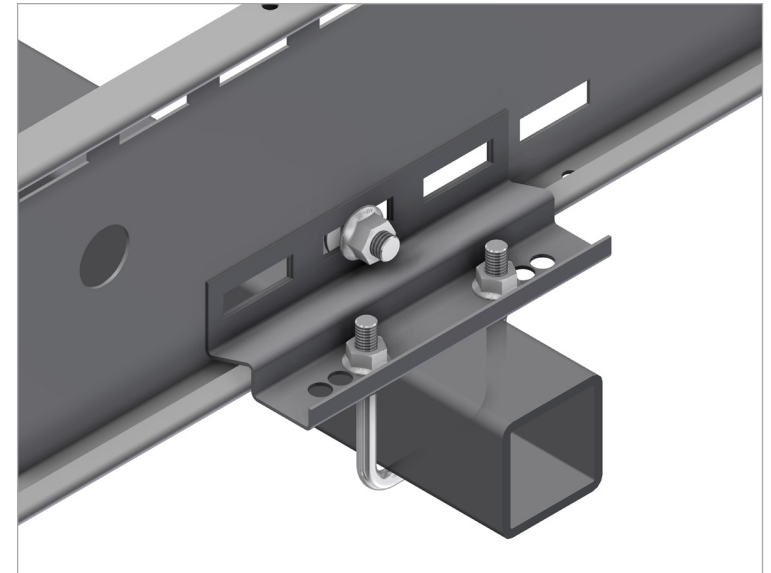
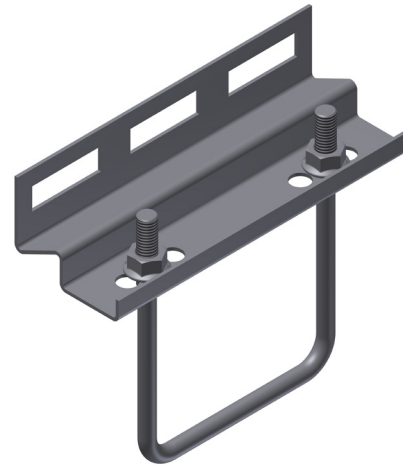
For fastening cable ladders directly to steel support, H beams, RHS or SHS. Can be used for both horizontal and vertical fitting.

## INSTRUCTION FOR USE

Attach the parts together loosely using self locking bolts.

Adjust all parts and tighten securely. Ensure the U-bolt fastenings are tightened equally.

To prevent galvanic corrosion, insulate different material qualities using PTFE tape.



With hole CC suitable for 50, 80 and 100 mm SHS/RHS



User Guide for Bolts:  
Recommended Torque