

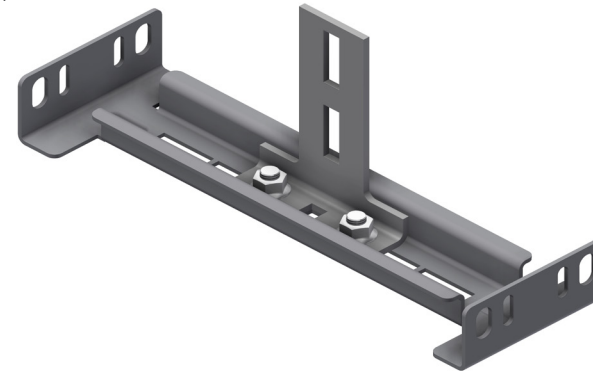
INTENDED USE

Bracket and arm for supporting LOE/TOE cable trays from central support brackets. Available in widths to suit cable ladders 200 mm - 600 mm. Can also be used for pipe support. Long slots on the support arm and the bracket allow for full adjustment.

INSTRUCTION FOR USE

Attach the bracket to the central support bracket using self locking bolts. Adjust and tighten securely.

Support bracket with arm for cable ladders from 200 - 600 mm



Typical installation



Installation option using insulation sleeves to separate different metals to avoid galvanic corrosion.

