

INTENDED USE

Barrier 2 solution to satisfy requirements for additional protection against slide.

INSTRUCTION FOR USE

Screw the bracket on the top U-bolt from the centre support, with the bracket in the lowest position.

Tighten the nylock/full metal lock nuts, then release ¼ turn. This is to ensure the bracket isn't loaded, and to be able to see if the support has moved when in operation.

Attach the top U-bolt with the U-bolt plate between the rockbolt and the bracket. Tighten the nuts to the recommended torque based on the size.

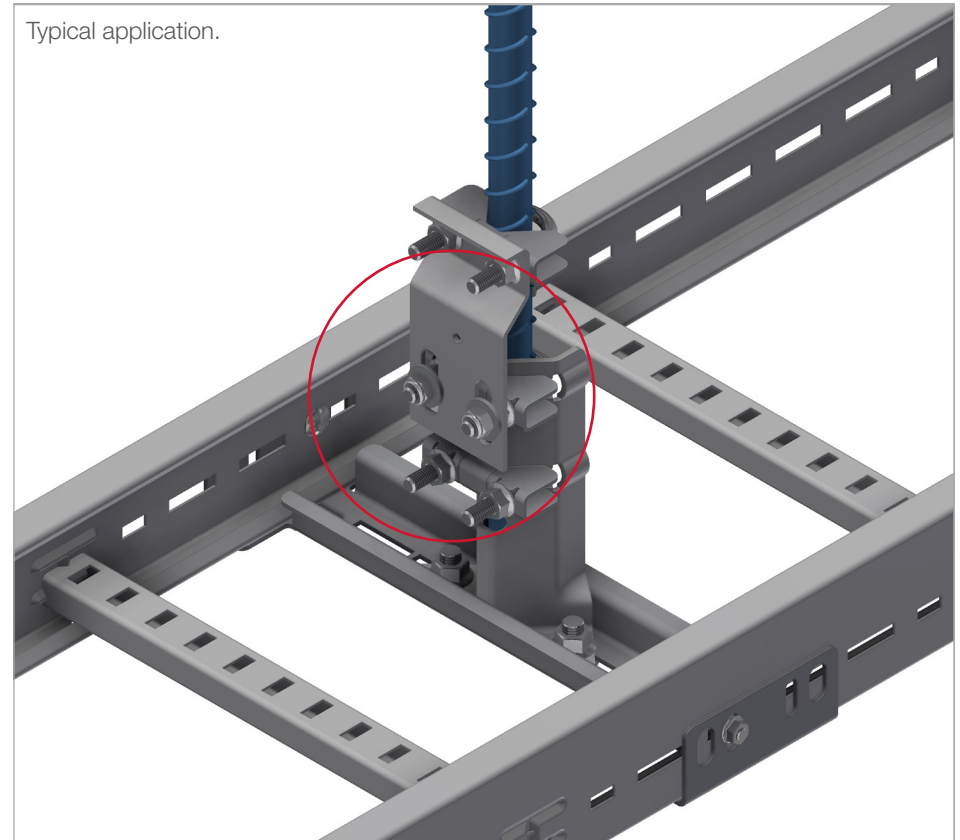
RECOMENDED TORQUE

Size	Material	Torque (Nm)
M8 (Self Lock)	A4	20-23
M10	HDG	30-33

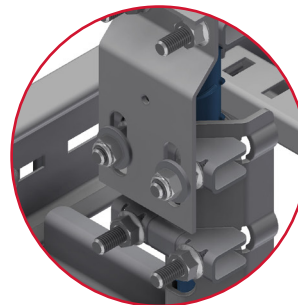
Bracket with U-Bolt and U-Bolt plate assembled



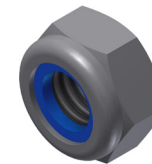
Typical application.



Tighten the nylock / full metal lock nuts in position shown, then release ¼ turn. This is to ensure the bracket isn't loaded, and to be able to see if the support has moved.



Nylock for SS brackets



Full metal lock for HDG bracket

