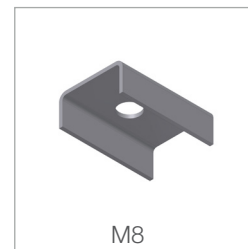
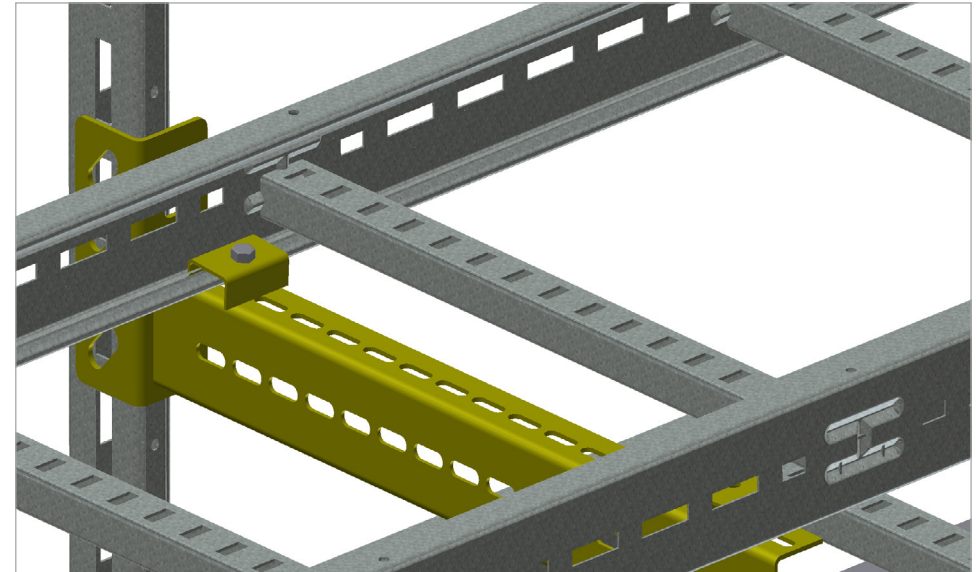


INTENDED USE

For fastening cable ladders to a horizontal support. Available with 3 different hole sizes for M6, M8 or M10 bolts.

INSTRUCTION FOR USE

Attach the parts together loosely. Adjust all parts and tighten securely.



User Guide for Bolts:
Recommended Torque