

INTENDED USE

Bracket to support radio/antenna cables and hold them distanced from the cable ladder. Designed to support the cable in case of fire.

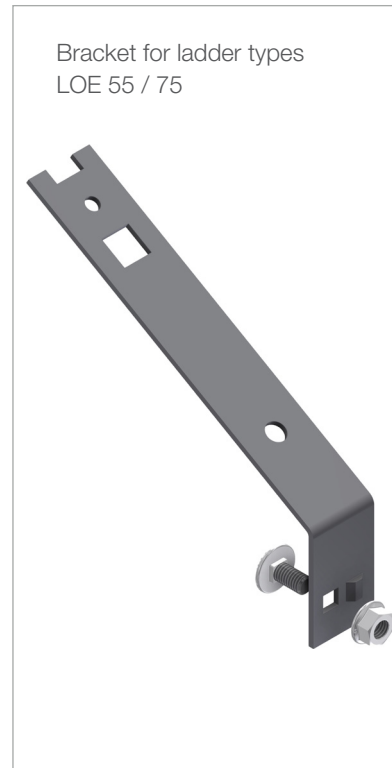
INSTRUCTION FOR USE

TOE type

Fix the self locking bolt to the bottom of the bracket. Tilt to allow the head of the bolt to go through the ladder slot. Locate the bolt notch in the slot and tighten securely.

LOE type

Locate the notch on the bracket in the slot on the ladder. Fit the bolt from the inside of the ladder and tighten the nut.



Fitting method for TOE type

