

## INTENDED USE

Flexi bracket for fixing light armatures to OE cable ladders. Can be hung on ladder rail or on rungs. Fully adjustable in 4° increments.

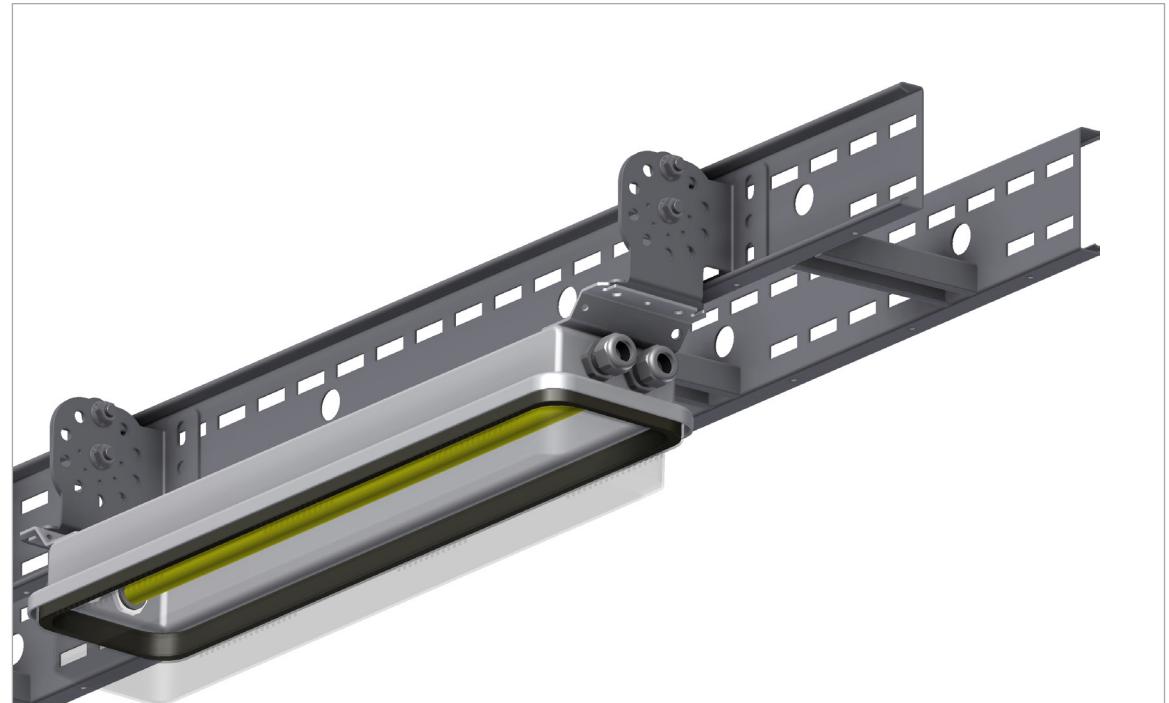
## INSTRUCTION FOR USE

Attach the flexi bracket to the armature brackets securely with self locking bolts. Lift the armature in place and screw onto ladder rails. Tighten securely with self locking bolts.

The adjustment bolt can be loosened and moved to rotate the light.

### Alternative:

Check and mark the placement of the brackets on the ladder. Disassemble the flexi bracket. Attach one part to the armature bracket, and the other to the ladder. Lift the armature in place and fix the centre bolt to connect the two parts. Adjust as described above.



User Guide for Bolts:  
Recommended Torque