

INTENDED USE

For fastening OE cable ladders to support with the fixing located outside the rail of the ladder.

INSTRUCTION FOR USE

Fixed:

Attach the parts together loosely using self locking bolts. Adjust all parts and tighten securely.

Sliding:

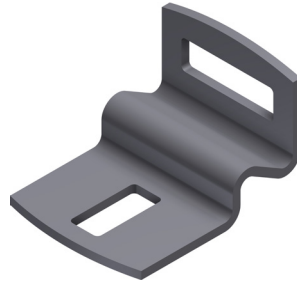
Where allowance must be made for temperature expansion, attach the parts together loosely using self locking bolts. Omit the bolt on the ladder so that the ladder can slide.

Where different materials are used, they can be insulated using low friction PTFE Plates and PTFE Sleeves.

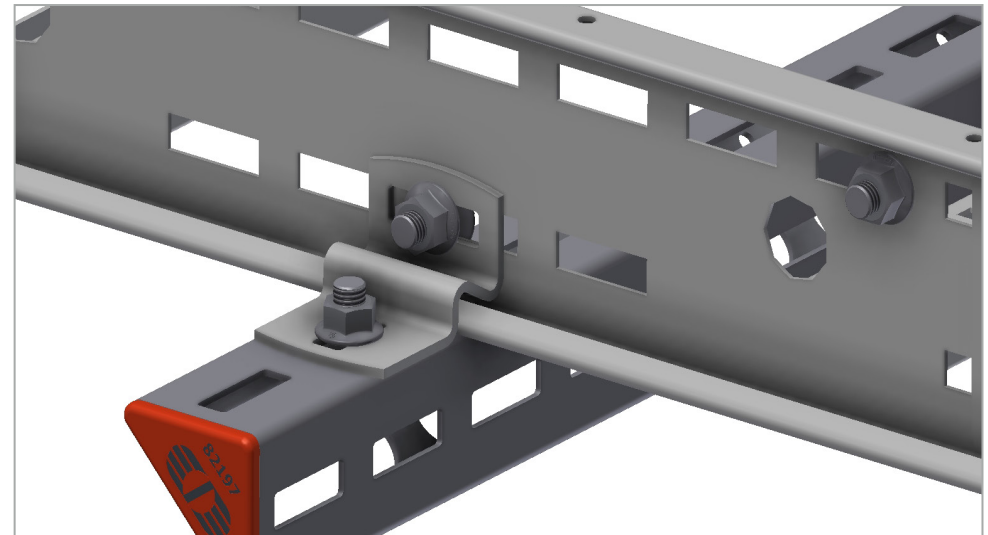
Earth jumper links must be considered to maintain electrical continuity.



User Guide for Bolts:
Recommended Torque



Ladder and support fixed.



Ladder allowed to slide (and Insulated).

