

INTENDED USE

Dividers for cable segregation and separation purposes along the length of the cable run.

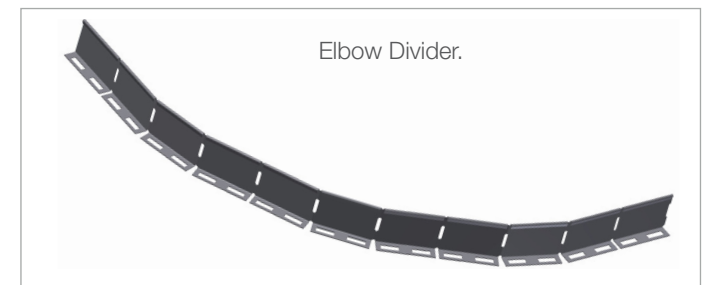
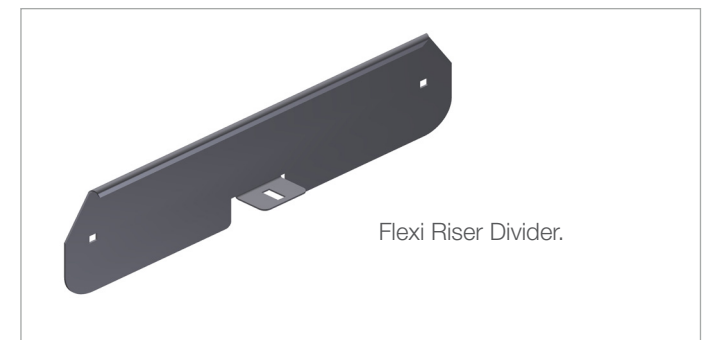
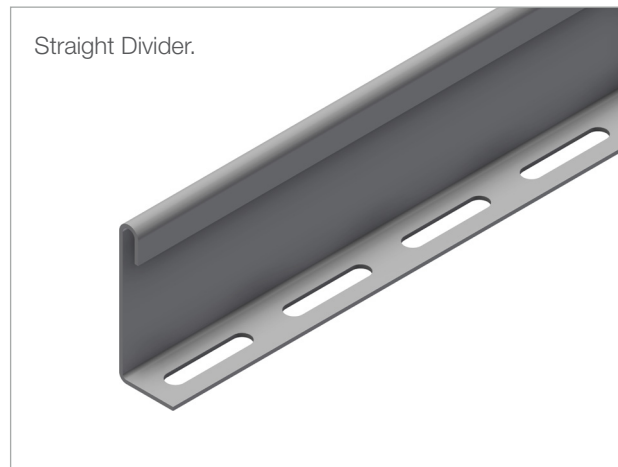
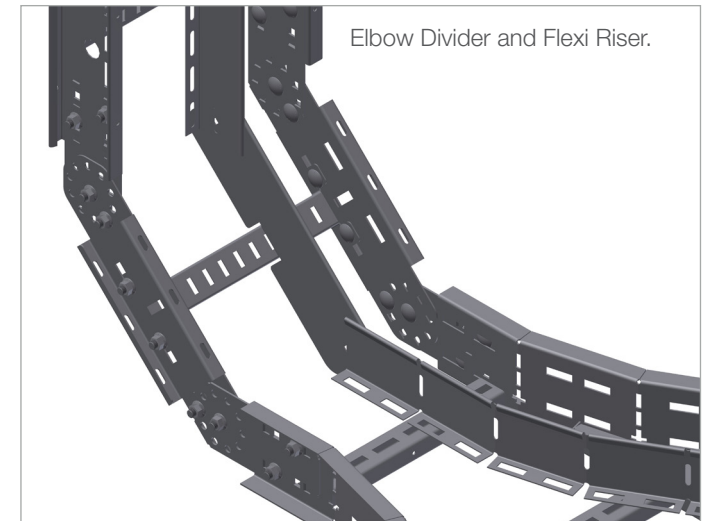
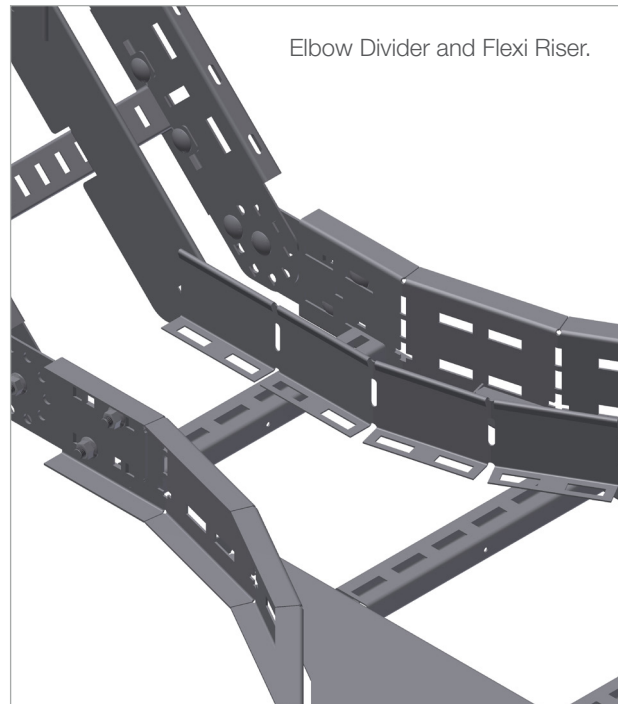
Requirements for cable separation must be followed according to branch, national and international standards.

Note, dividers in SS (AISI 316L) cannot be used as an electromagnetic barrier due to its non magnetic steel properties. Ask for dividers in duplex for these applications.

INSTRUCTION FOR USE

Measure the required spacing for the cables, and assemble the divide partition using straight lengths, flexible lengths for elbows and bends, and flexi riser dividers as required.

Assemble loosely using self locking bolts. Adjust and secure tightly.



User Guide for Bolts:
Recommended Torque