

## INTENDED USE

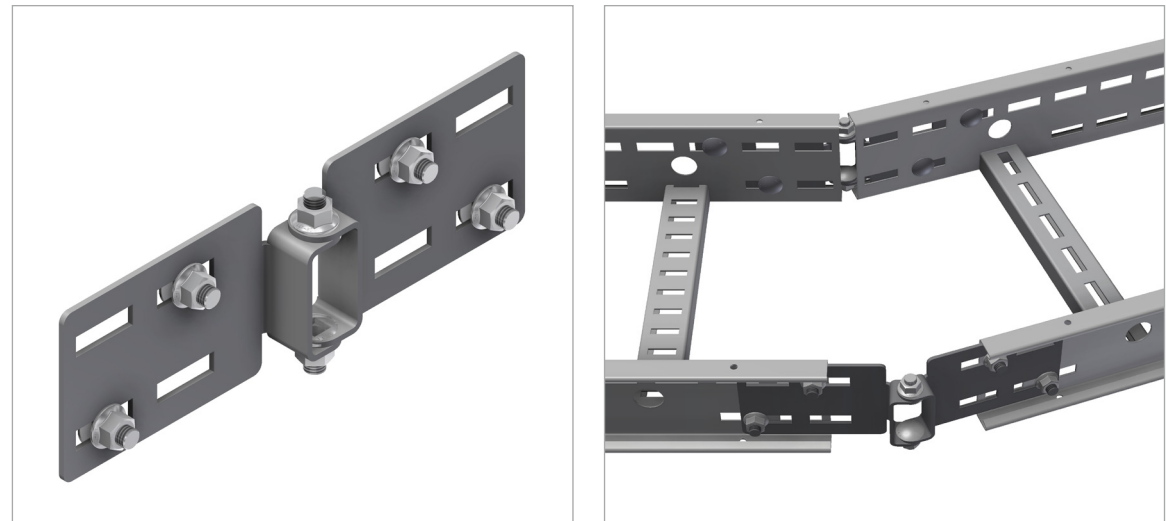
The hinge is used for flat directional changes of OE Ladders and Mekano® Channel type CH100-1. The design range for a single hinge is from 37.2° to 7.6° depending on the width of the ladder.

## INSTRUCTION FOR USE

Assemble loosely with self locking bolts, adjust on side rails and tighten securely.

Tighten the hinge bolts securely to ensure good conductivity through the connection.

The angle of the hinge can also be pre-set and locked using the top and bottom bolts.



### Maximum Angle

OE in 150 mm width = 37,2°

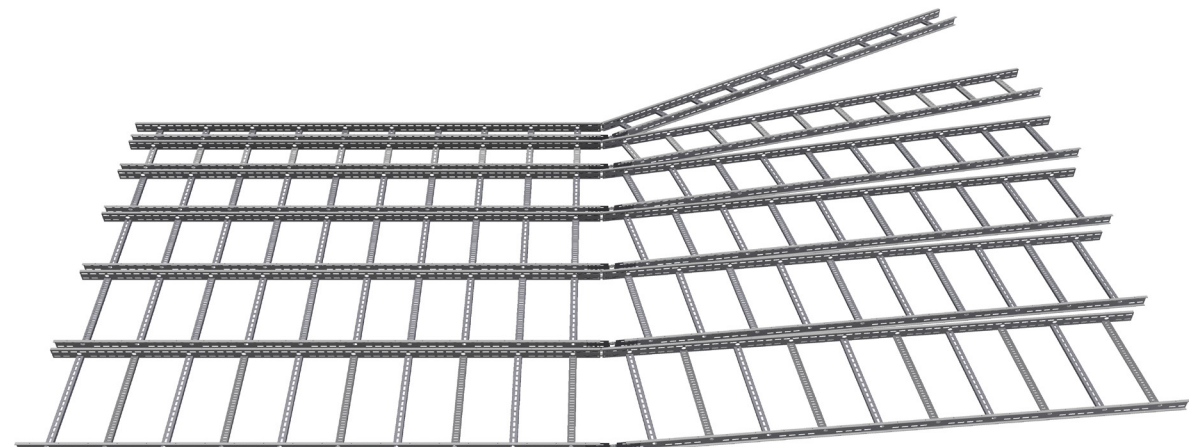
OE in 300 mm width = 21,0°

OE in 450 mm width = 14,6°

OE in 600 mm width = 11,2°

OE in 750 mm width = 9,0°

OE in 900 mm width = 7,6°



User Guide for Bolts:  
Recommended Torque