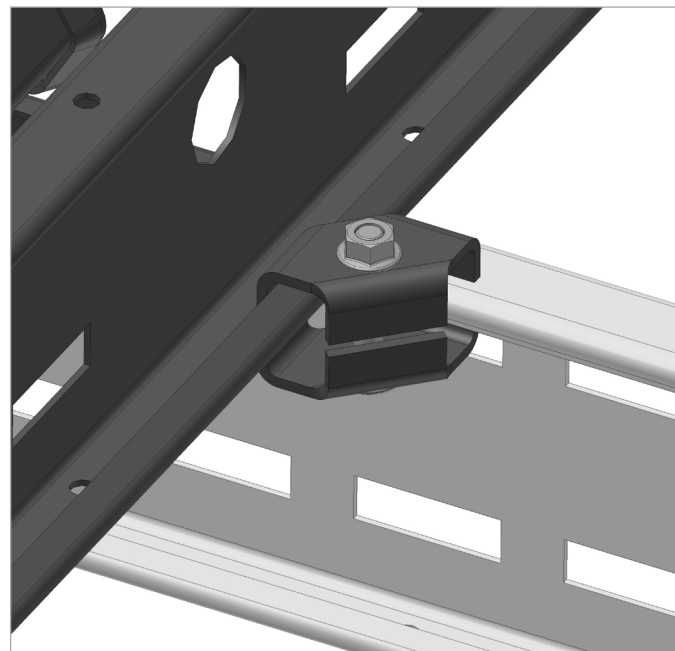
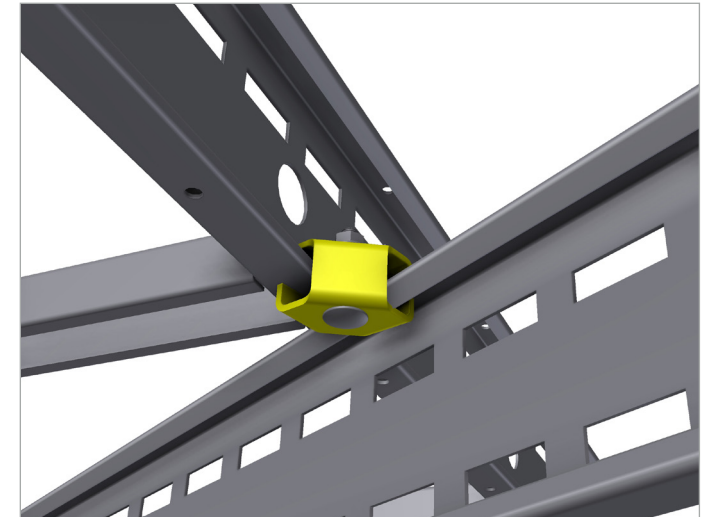


INTENDED USE

Fixing clamps for attaching horizontal traversing channels/ladders together. Suitable for fixing OE Cable Ladders to Mekano® Channels CH50-1, CH50-2, CH100-1 and UNO Cantilever Arms. Allows for fixing ladders from 15 to 90°.

INSTRUCTION FOR USE

Attach the top and bottom parts over the flanges of the sections to be joined and bolt securely together.



User Guide for Bolts:
Recommended Torque