

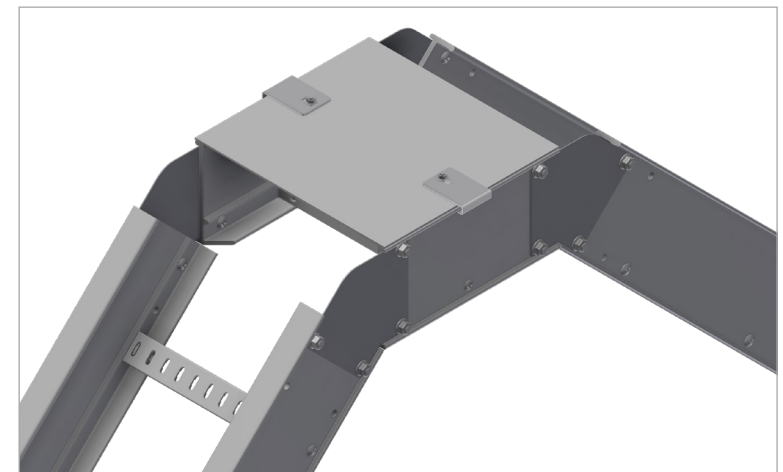
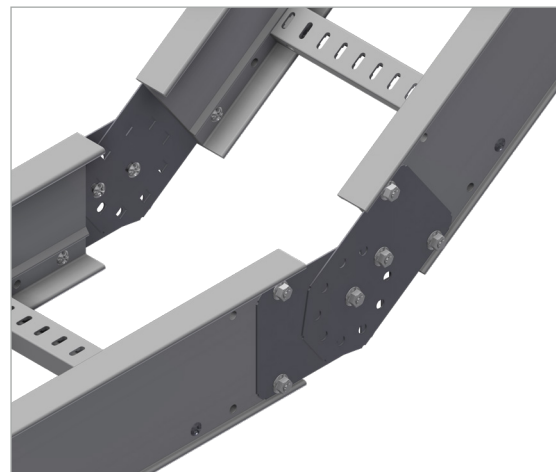
INTENDED USE

Riser parts may be used to route ladders through irregular spaces and are designed to be used as both inside and outside risers. Multiple riser parts can be combined to any radius or angle. Fully flexible when combine with vertical hinge or fixed angle plates.

INSTRUCTION FOR USE

Attach the parts loosely. Adjust all parts and tighten securely.

For more information on vertical hinge installation, please refer to vertical hinge user guide.



User Guide for Bolts:
Recommended Torque