

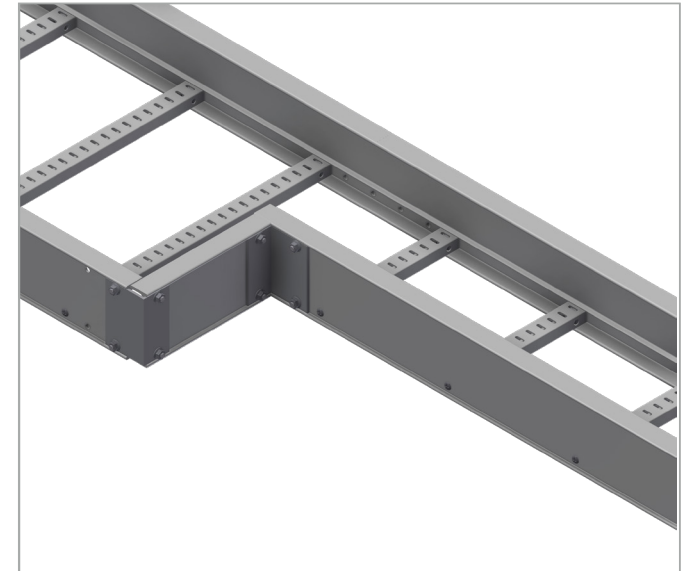
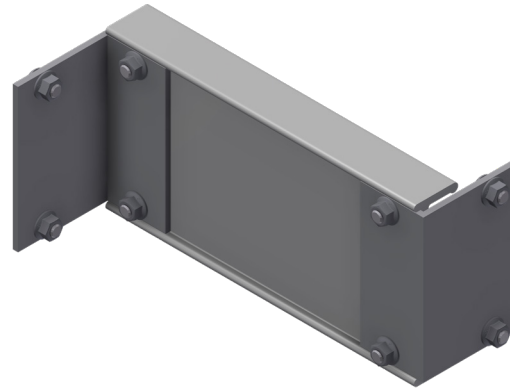
INTENDED USE

FOE Reducer Part is used to cleanly change the ladder width in set increments and can be used from both right and left hand sides.

INSTRUCTION FOR USE

The OE Reducer Part is used together with a splice connector (not included) to attach two ladders of different width.

When reducing both sides, the additional splice connector is not required.



User Guide for Bolts:
Recommended Torque