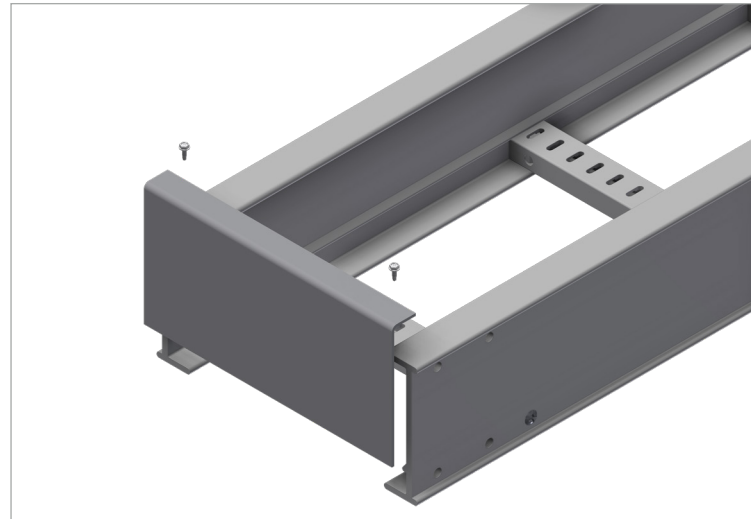


## INTENDED USE

End covers are used to cleanly terminate ladder runs.

## INSTRUCTION FOR USE

The end covers are secured in place with self tapping screw.



User Guide for Bolts:  
Recommended Torque