

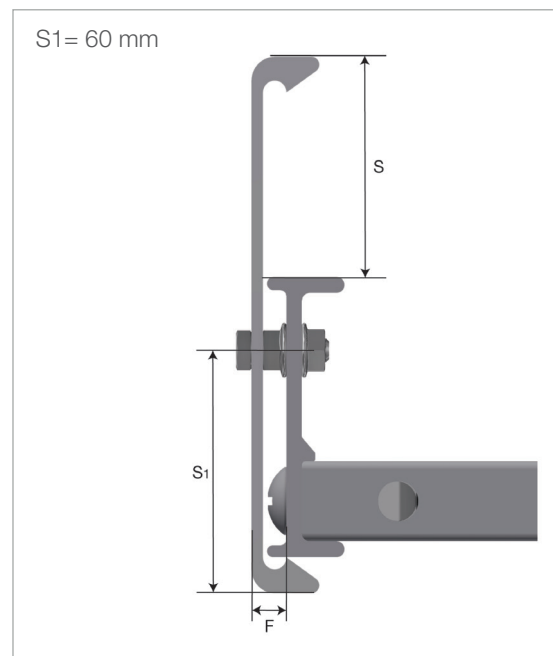
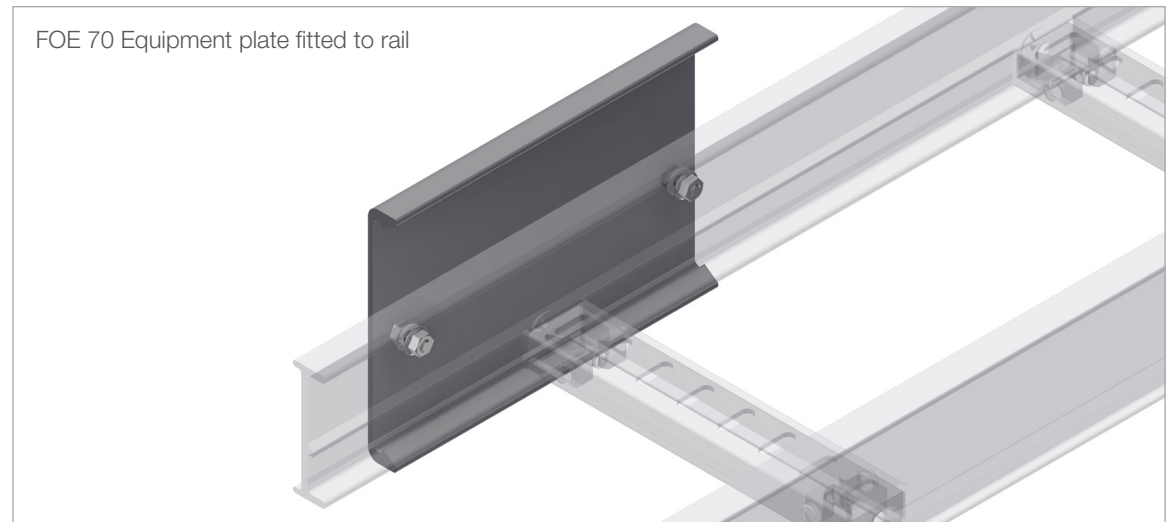
INTENDED USE

For attaching equipment such as electrical sockets to FOE70 Cable Ladders. The Equipment plate fits on the side of the cable ladder rail.

INSTRUCTION FOR USE

Mark the position of the fixing holes on the bracket, and drill with \varnothing 6.5mm drill 60mm from the bottom edge at CC 165 mm. Drill corresponding holes at CC 165 mm on the side rails using the predrilled bracket as a template.

Insert the M6x20 bolts supplied into the holes and fix with one of the M6 flange nuts as shown. Fix the bracket to the ladder rail and secure with the second M6 flange nut as shown.



User Guide for Bolts:
Recommended Torque