

INTENDED USE

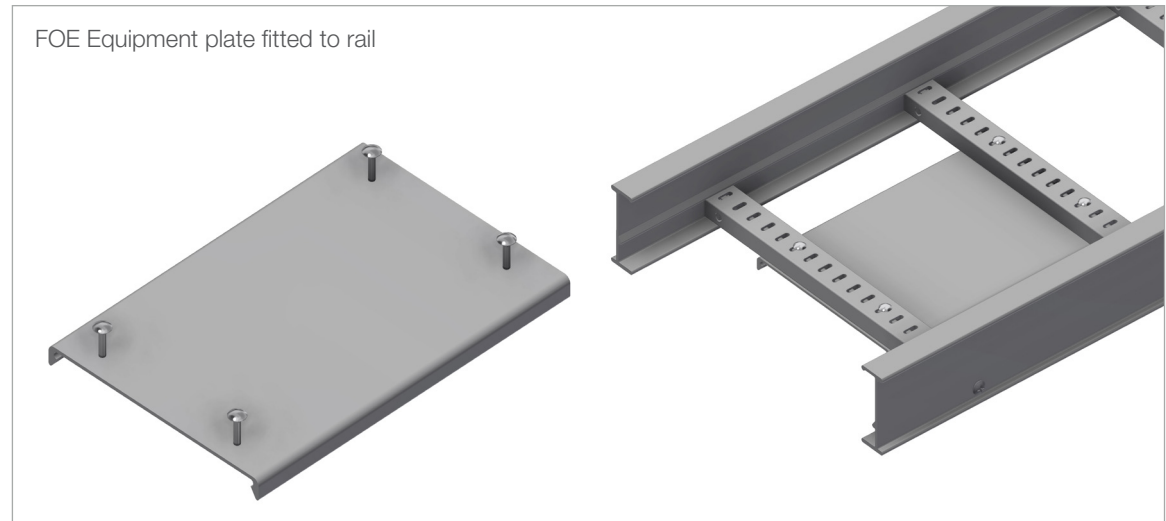
For attaching equipment such as electrical sockets and equipment to FOE Cable Ladder rungs. The Equipment plate fits below the rungs.

INSTRUCTION FOR USE

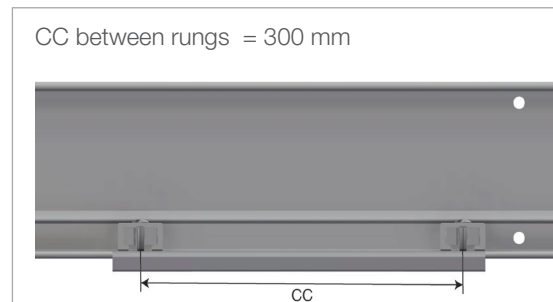
Mark the position of the 4 fixing holes on the bracket, and drill with $\varnothing 6.5\text{mm}$ drill. CC between rungs is 300 mm. CC between holes in the rungs are 25 mm so fixing holes must be in multiples of 25 mm.

Insert the M6x40 bolts supplied into the holes and fix with M6 anti vibration flange nuts as shown.

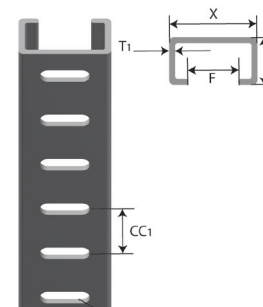
FOE Equipment plate fitted to rail



CC between rungs = 300 mm



CC₁ on width of rungs is 25 mm so fixing holes on width must be in multiples of 25 mm.



User Guide for Bolts:
Recommended Torque