

## INTENDED USE

Hold-down clamp for all FOE ladder heights. The clamp is suitable for horizontal and vertical installations. Available in both SS and FRP materials.

## INSTRUCTION FOR USE

Attach the parts loosely. Adjust all parts and tighten securely.

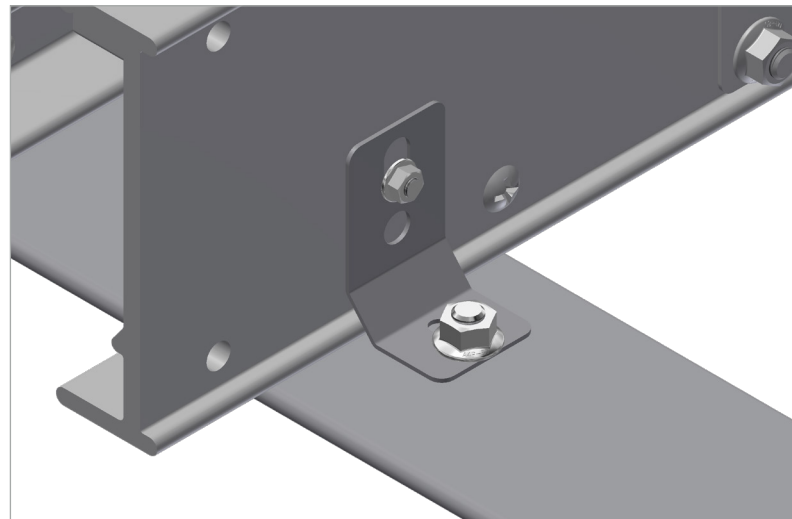
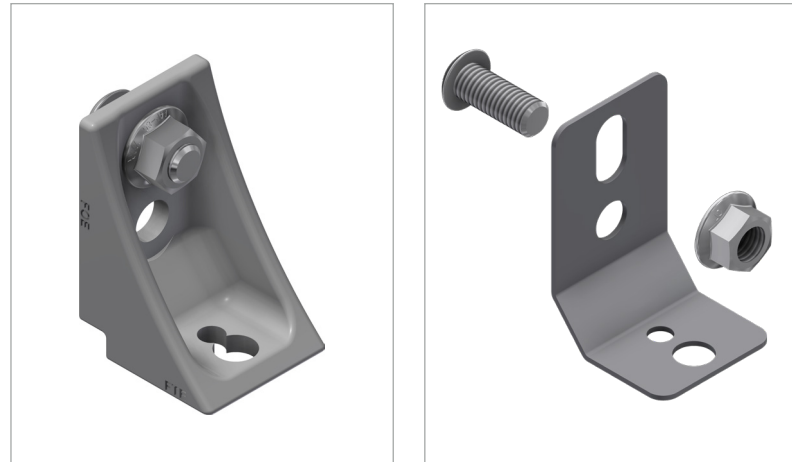
Fasteners for attaching to clamp to support structure are not included.

An appropriate M10 bolt may be chosen to match the combined thickness of the support structure and clamp.

### Clamp Thickness:

FRP: 5 mm

SS: 1.5 mm



User Guide for Bolts:  
Recommended Torque