

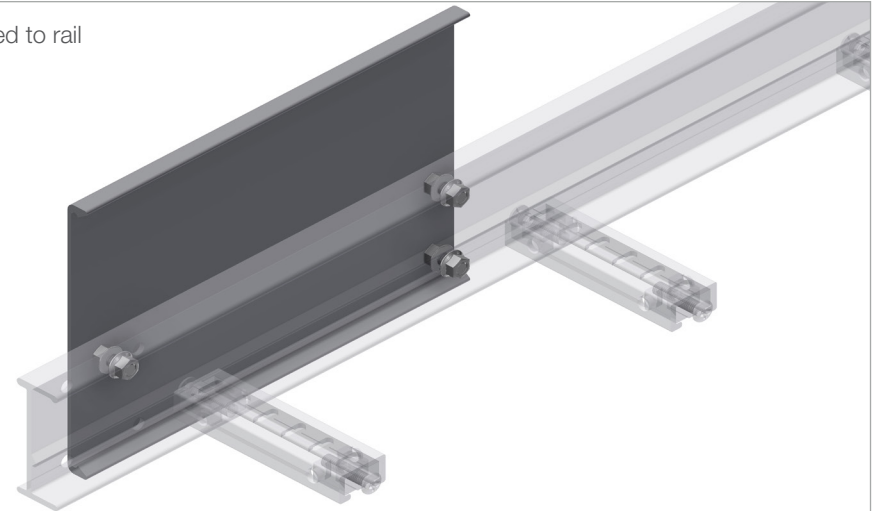
INTENDED USE

For attaching equipment such as electrical sockets and equipment to FOE 100 & 150 Cable Ladders. The Equipment plate fits on the side of the cable ladder rail.

INSTRUCTION FOR USE

Mark the position of the 3 fixing holes on the bracket, and drill with $\varnothing 6.5\text{mm}$ drill. CC between bolts is 165 mm. See image for CC1 dimensions. Drill corresponding holes on the side rail using the predrilled bracket as a template. Insert the M6x20 bolts supplied into the holes and fix with one of the M6 flange nuts as shown. Fix the bracket to the ladder rail and secure with the second M6 flange nut.

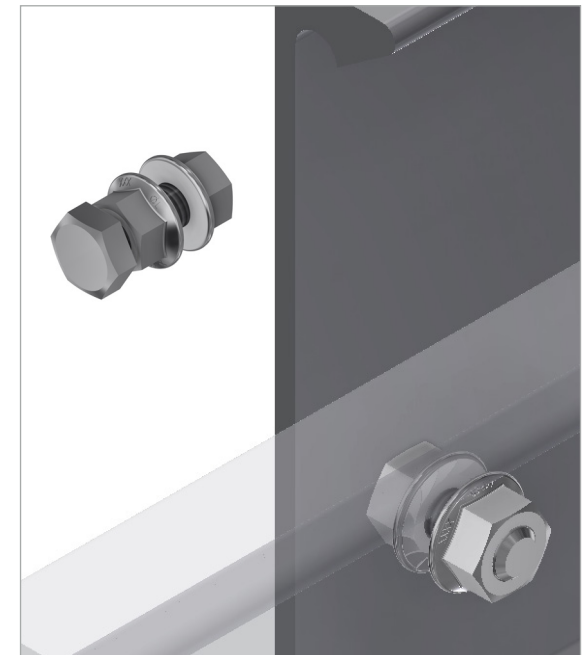
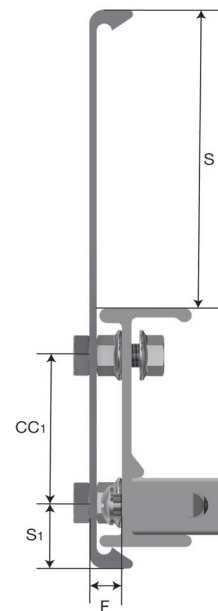
FOE Equipment plate fitted to rail



$S_1 = 28\text{ mm}$

FOE 100
 $CC_1 = 62\text{ mm}$

FOE 150
 $CC_1 = 112\text{ mm}$



User Guide for Bolts:
 Recommended Torque