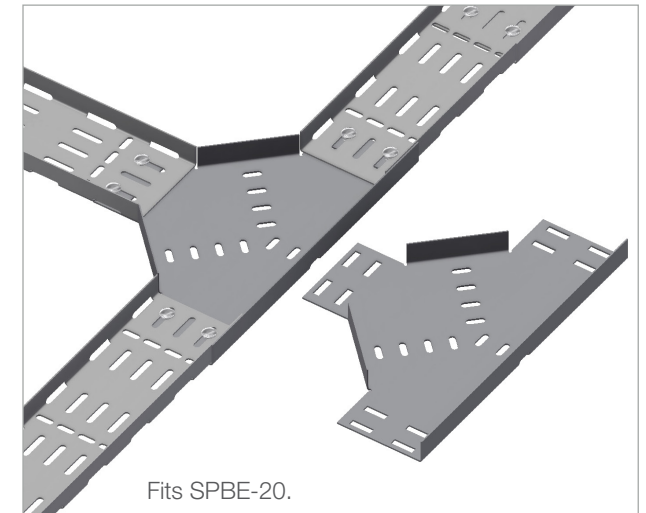
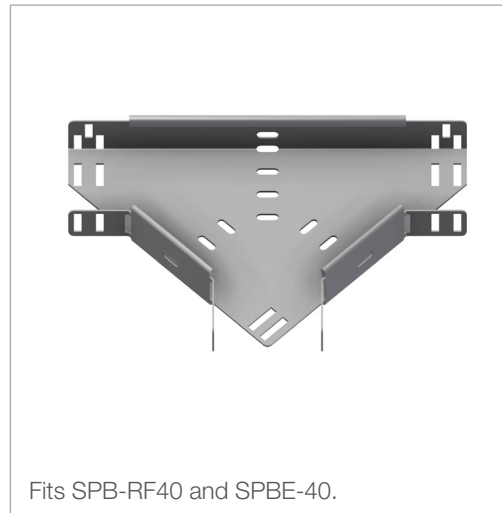
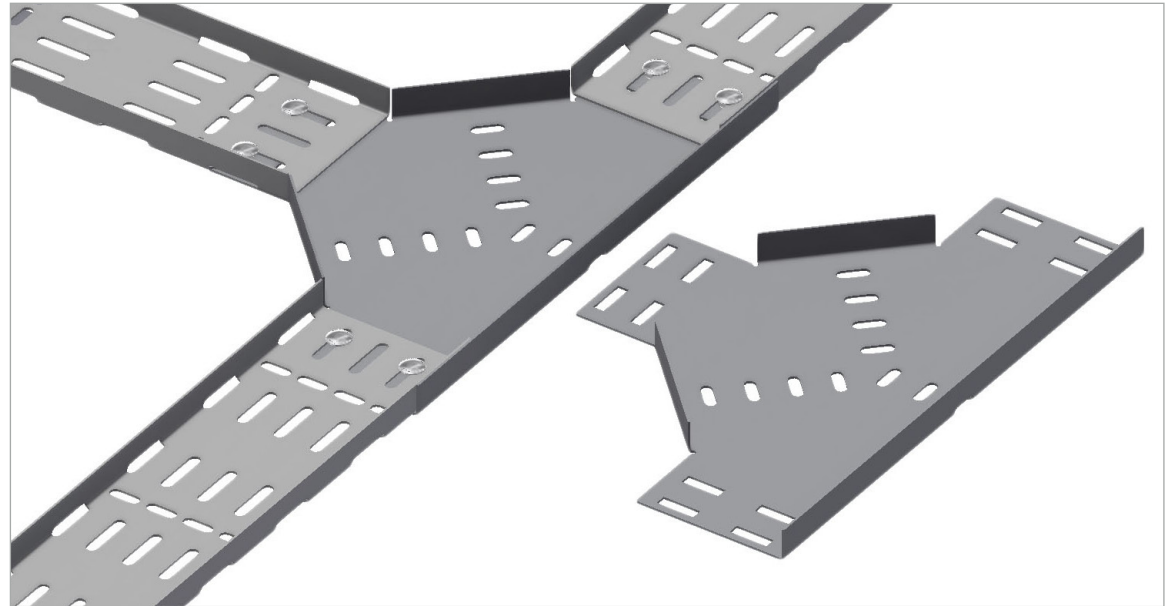


INTENDED USE

Fixed radius, 3-way 90° Tee-Piece with integral splice connectors.

INSTRUCTION FOR USE

Attach the Tee-Piece to the 3 cable trays loosely with self locking bolts. Adjust and tighten securely.



User Guide for Bolts:
Recommended Torque