

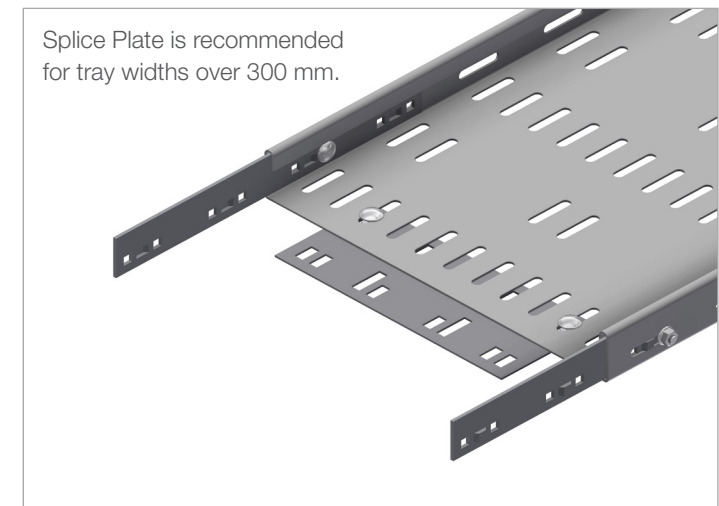
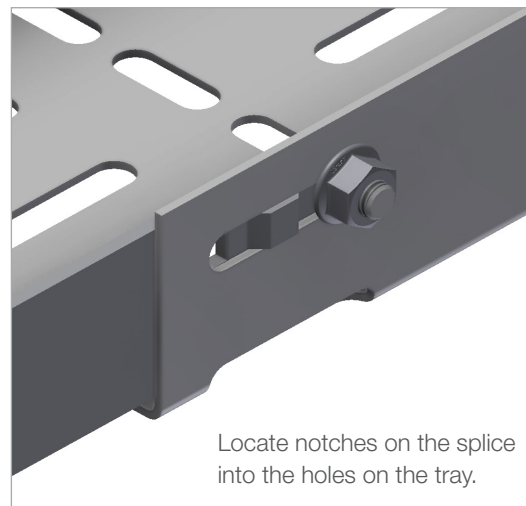
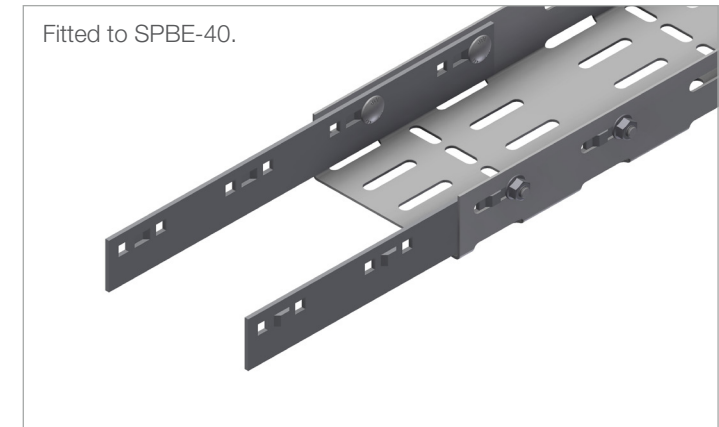
INTENDED USE

Inside splice for attaching two cable trays together. Can also be fitted to outside if required.

Note: Bolt pattern can vary depending on type and dimension.

INSTRUCTION FOR USE

Fit the splice equally over the parts being joined. Ensure the notches engage into the holes on the sides of the cable tray. Attach loosely with self locking bolts. Adjust and tighten securely.



User Guide for Bolts:
Recommended Torque