

INTENDED USE

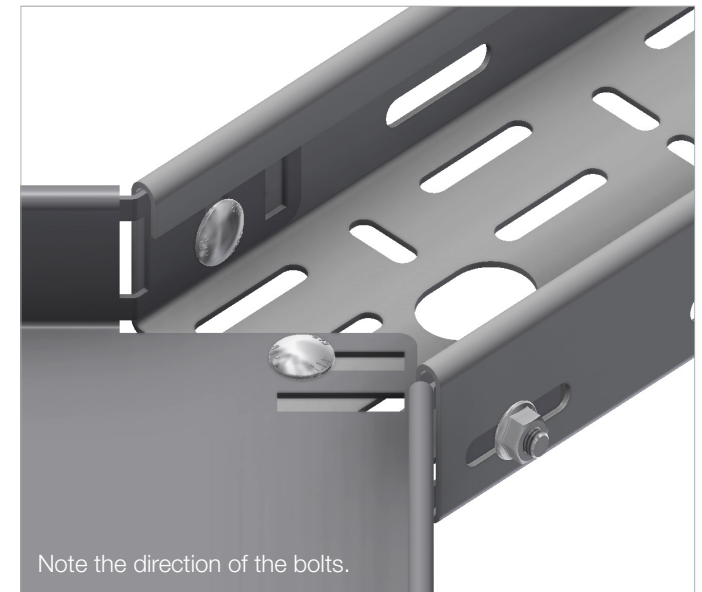
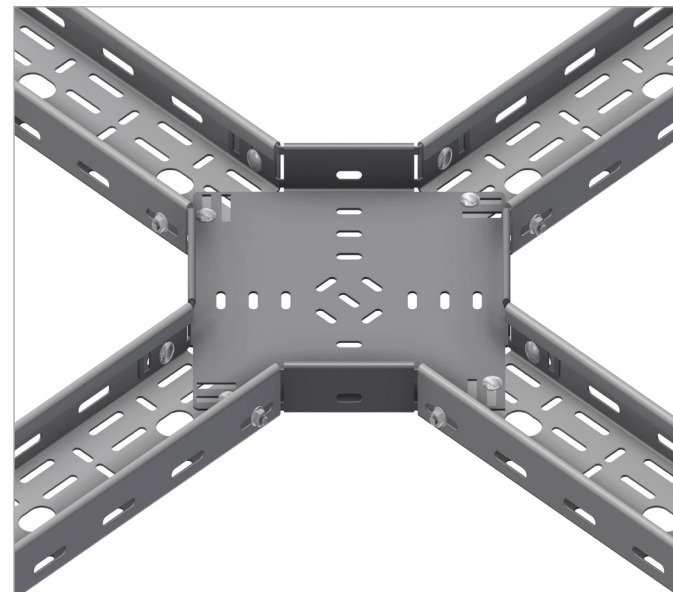
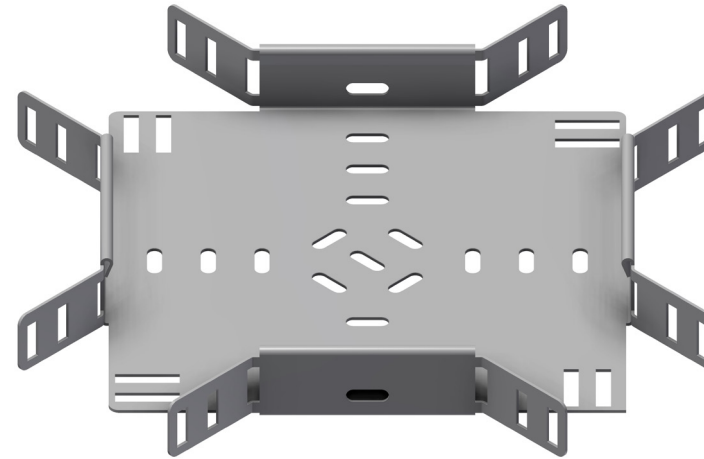
Fixed radius, 4-way junction piece, with splice connectors on both rails for simple installation.

INSTRUCTION FOR USE

Bend the splice connectors into place.

Attach the cross piece to the trays loosely with self locking bolts on the sides and on the bottom.

Adjust and tighten securely.



User Guide for Bolts:
Recommended Torque