

INTENDED USE

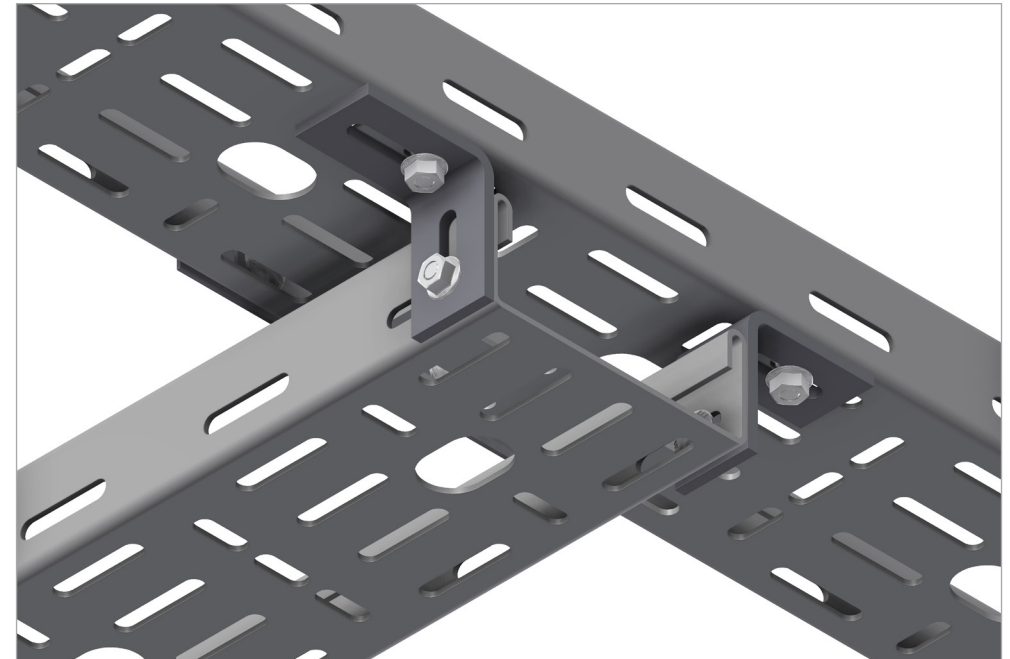
Angle Brackets for creating Tee-Piece or Cross Pieces in two levels for assembly on site. Hole pattern and style will vary depending on bracket type and dimension.

INSTRUCTION FOR USE

Tee-junctions or cross-junctions on two levels are easily formed by using angled brackets to attach one tray below the other.

Use exit plates for a neat transition of the cables.

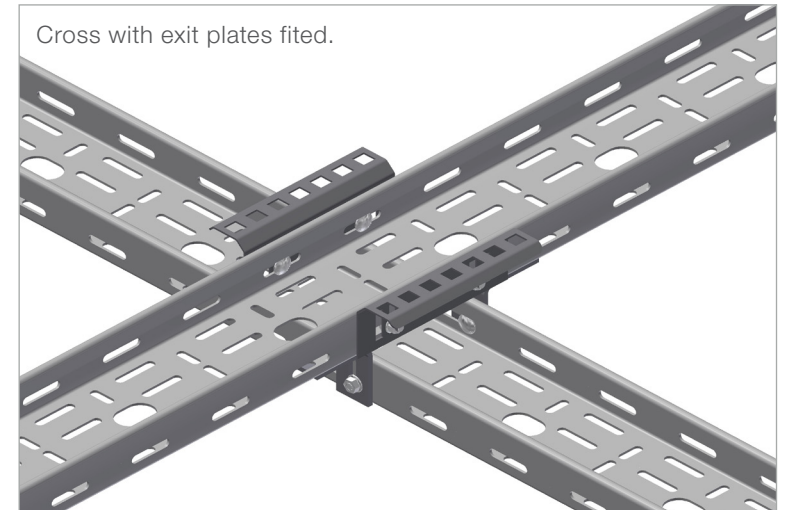
Attach the parts together loosely using self locking bolts. Adjust all parts, and tighten securely.



Tee-Junction with exit plate fitted.



Cross with exit plates fitted.



User Guide for Bolts:
Recommended Torque