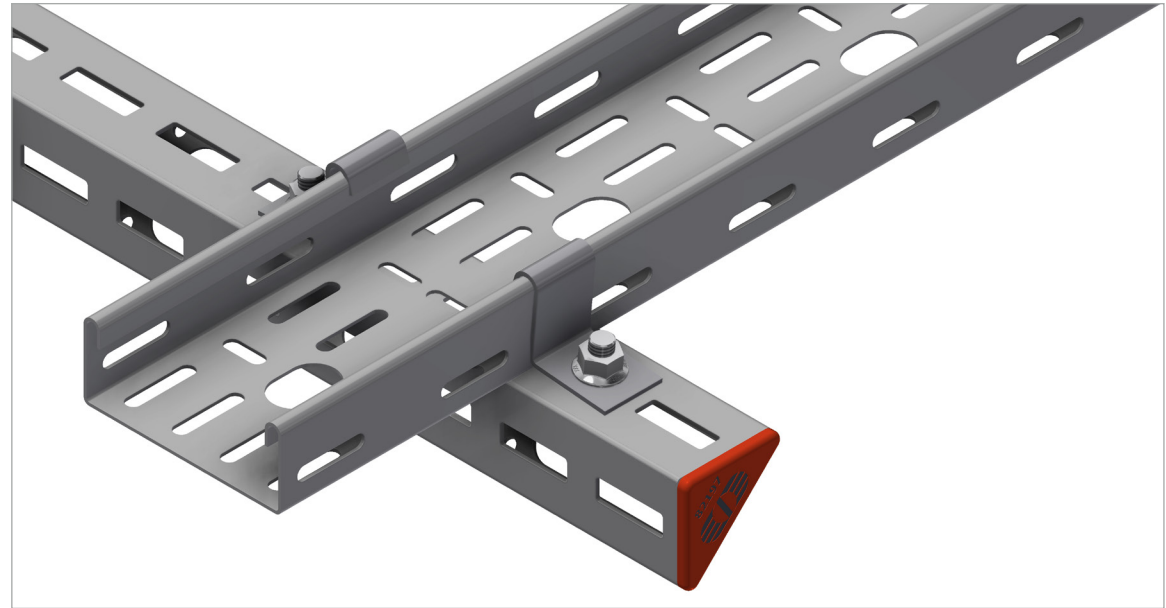


INTENDED USE

Fixing clamp for SPB-RF 40 & 50 used to fasten cable tray to bracket or support.

INSTRUCTION FOR USE

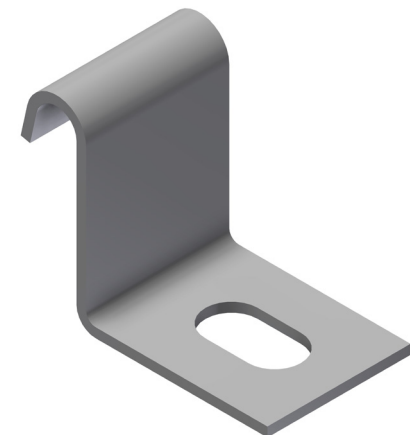
Attach the edge of the fixing clamp over the cable tray. Fix the clamp to the support or bracket using a M10 self locking bolt. Adjust and tighten securely.



Fixing clamp for
SPB-RF-50



Fixing clamp for
SPB-RF-40



User Guide for Bolts:
Recommended Torque