

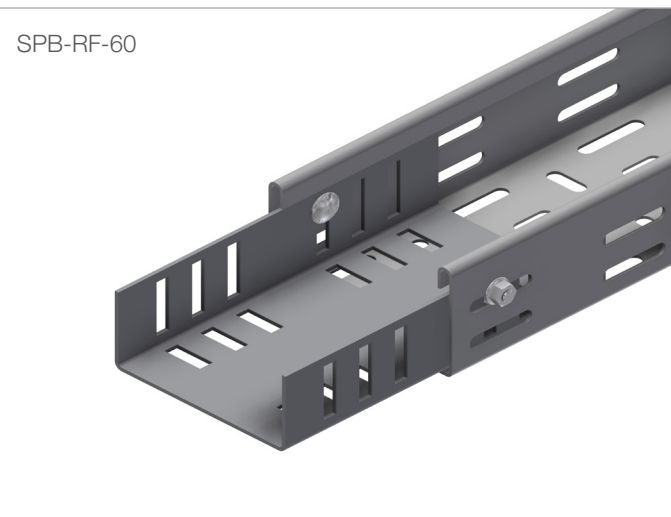
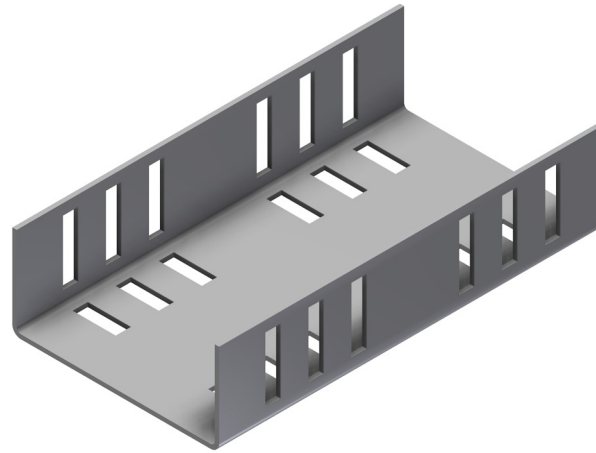
## INTENDED USE

U-Splice for attaching two SPB-RF-40 and SPB-RF-60 cable trays together in 100 mm width. Flush fitting outside which allows for easy fitting of light fitting brackets.

## INSTRUCTION FOR USE

Fit the splice equally over the parts being joined. Attach loosely with self locking bolts. Adjust and tighten securely.

For heavy loads, add additional bolts in the bottom.



User Guide for Bolts:  
Recommended Torque