

INTENDED USE

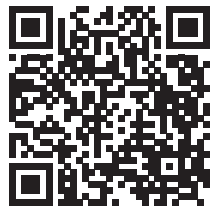
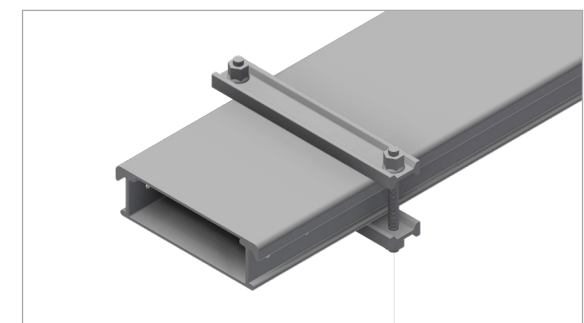
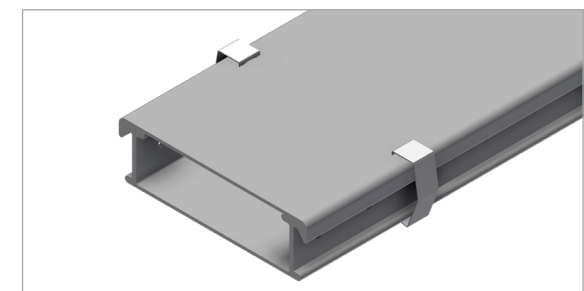
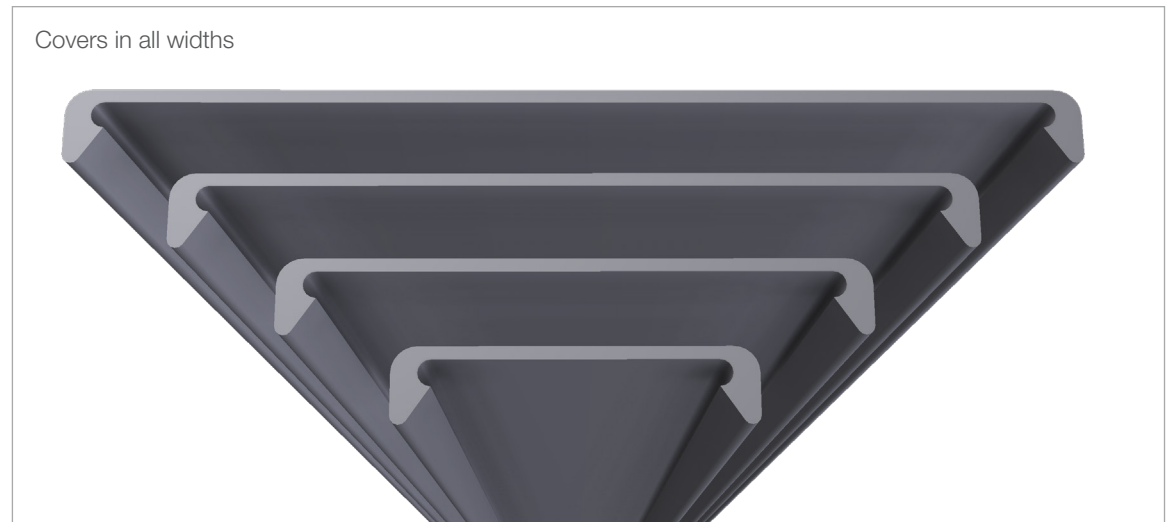
Covers for straight lengths of FTE cable tray and fittings offer protection from falling objects, UV radiation from sunlight and give the contents basic protection from weather and vandalism.

INSTRUCTION FOR USE

Trays under 300 mm utilize a quick snap-on cover. Tray over 300 mm feature a flat cover, which requires fixing clamps to keep it in place.

The snap-on cover clip is suitable for low wind applications.

The heavy duty FTE cover clamp is constructed with all FRP materials. Suitable for high wind applications.



User Guide for Bolts:
Recommended Torque