

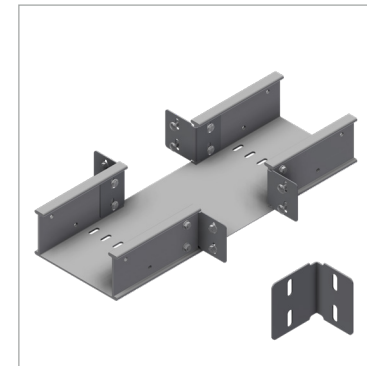
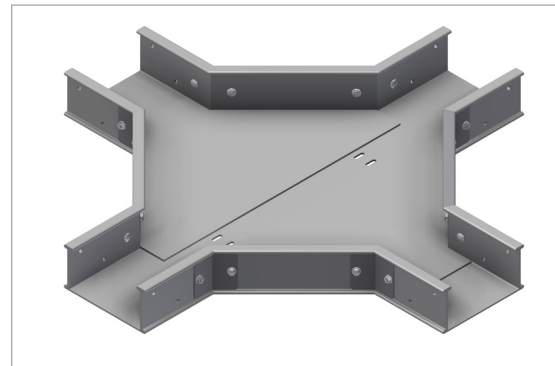
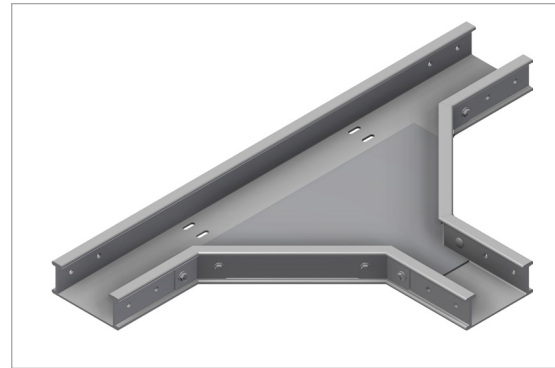
## INTENDED USE

FTE Tee-Piece and Cross-Pieces are 3 & 4 way junctions pieces.

## INSTRUCTION FOR USE

Both fittings are available in pre-built, fixed radius versions, alternatively simple fittings may be created on site using brackets.

Splice plates are required to join to straight sections of cable tray or other fittings. These are bolted in place using self locking bolts. Splice plates and bolts are available separately.



User Guide for Bolts:  
Recommended Torque