

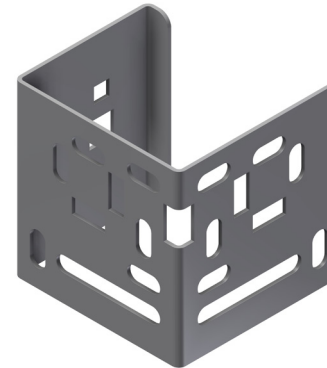
INTENDED USE

Universal bracket which allows ETIN™ and INKO® tubing clamps to be easily fitted to UNO channels.

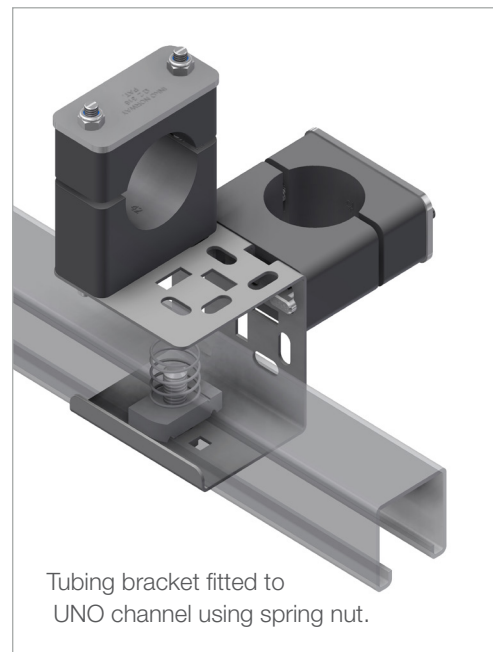
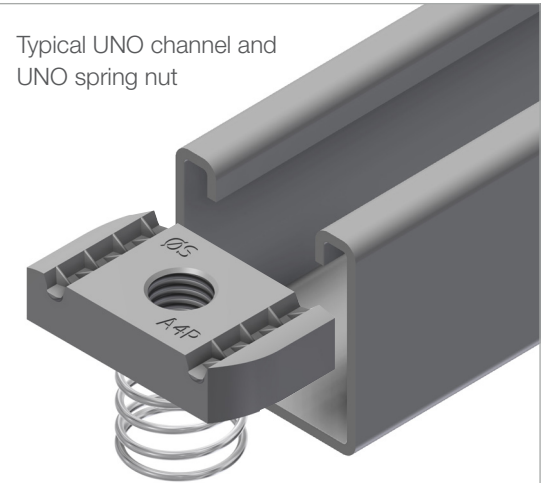
INSTRUCTION FOR USE

Fit the bracket to the channel using the corresponding UNO card or spring nut for the channel. Adjust the position and fit securely. Tubing clamps can now be fitted in the slots.

Tubing bracket for UNO



Typical UNO channel and UNO spring nut



INKO tubing clamps fitted.



ETIN tubing clamps fitted.



User Guide for Bolts:
Recommended Torque