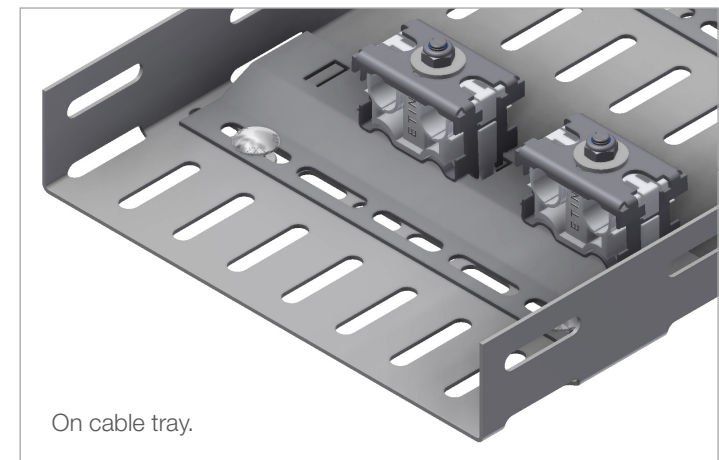
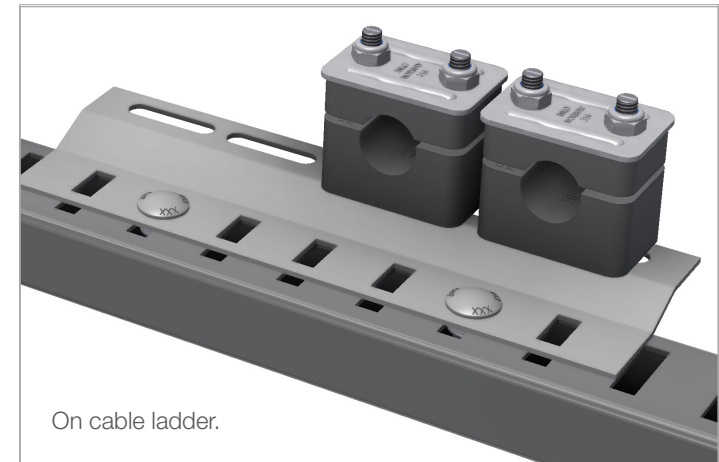


INTENDED USE

Universal bracket for fitting INKO® or ETIN™ tubing clamps where the hole direction is different to the normal intended pattern, or onto alternative bases.

INSTRUCTION FOR USE

Position the brackets and fix with self locking bolts. Adjust and tighten securely. The tubing clamps can then be fastened from above.



User Guide for Bolts:
Recommended Torque