

INTENDED USE

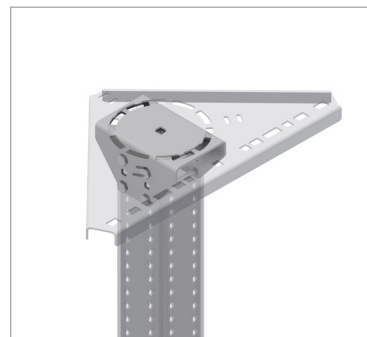
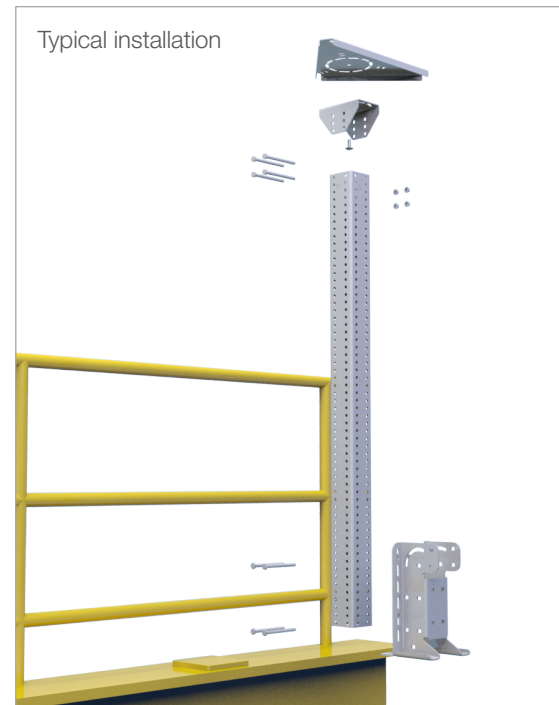
Floodlight support plate with hole pattern to suit most popular floodlight brackets. Compatible with Rotation Bracket for fixing to Mekano® CH100-4 channel, it can be fixed to walls and floors.

The rotation plate allows for 360° adjustment of the Floodlight Support Bracket.

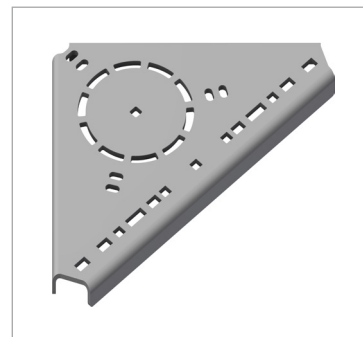
INSTRUCTION FOR USE

The rotation bracket is secured to Mekano® CH100-4 using anti-vibration nut and bolt sets.

The floodlight support bracket can then be fitted to the rotation plate using a central bolt, adjusted, then secured with self locking bolts.



Rotation bracket and Floodlight Bracket attached to a Mekano® CH100-4 channel.



Four fixing surfaces.



Fitted to vertical pole.



Additional support brackets are available for handrails.



User Guide for Bolts:
Recommended Torque