

INTENDED USE

Deep recessed light fitting bracket to allow the light to be opened for service without conflicting with vertical hand rail supports. Design prevents water dripping into fitting during maintenance, and reduces glare.

Typically used for 36 W light fittings.

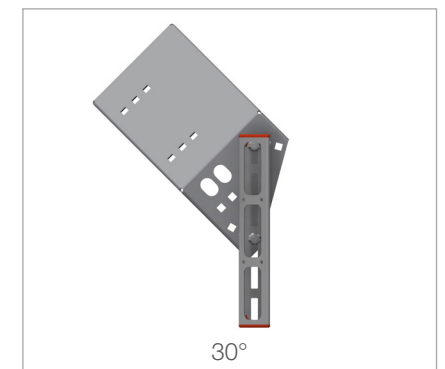
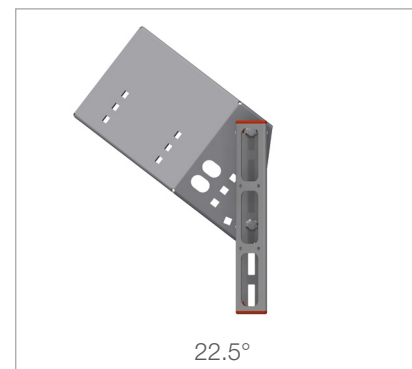
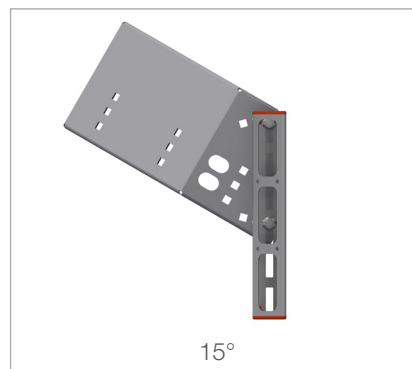
Adjustable angle 15°-30°.

90° variant also available.

INSTRUCTION FOR USE

Fit the armature to the brackets and the brackets to the support.

Attach the assembly to the handrail using for example U-bolts. Do not fit on the top handrail. Attach loosely first, adjust and tighten securely.



User Guide for Bolts:
Recommended Torque