

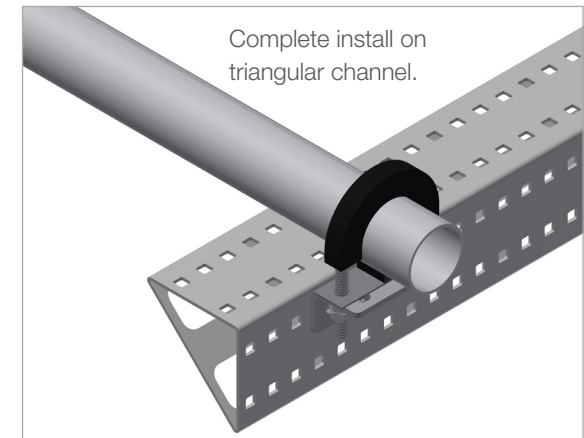
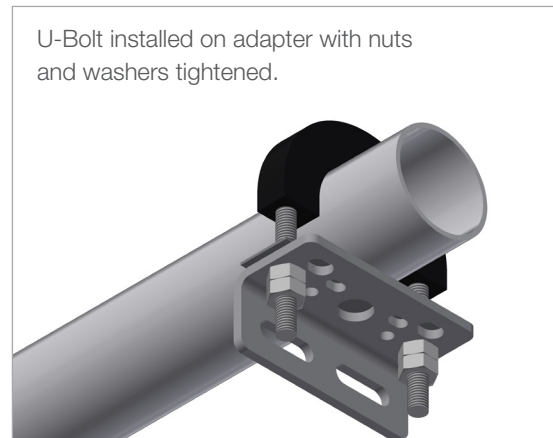
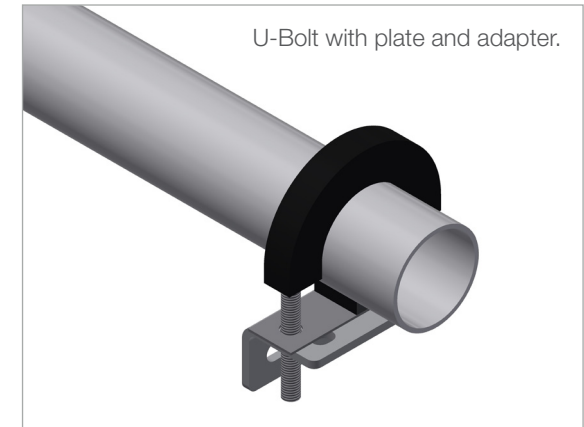
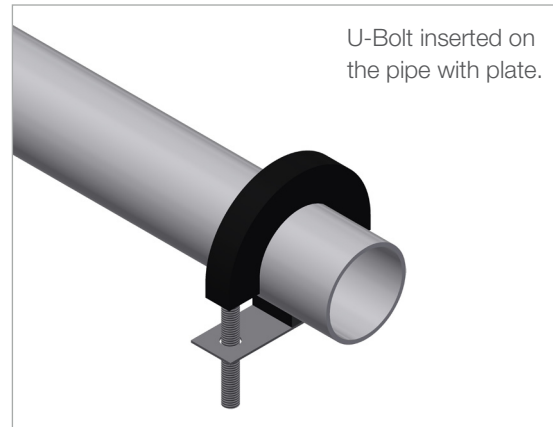
INTENDED USE

Provides support for a pipe and keeps it in place. Grip stops the pipe from moving in any direction.

INSTRUCTION FOR USE

Insert the U-Bolt over the pipe, then add the accompanying plate with the rubber facing the pipe. Insert the bolts on the U-Bolt into an U-Bolt Adapter, then fasten the 4 nuts (2 nuts on each bolt).

Tighten each bolt with the recommended torque, making sure that the U-Bolt is securely fastened to the pipe.



User Guide for Bolts:
Recommended Torque